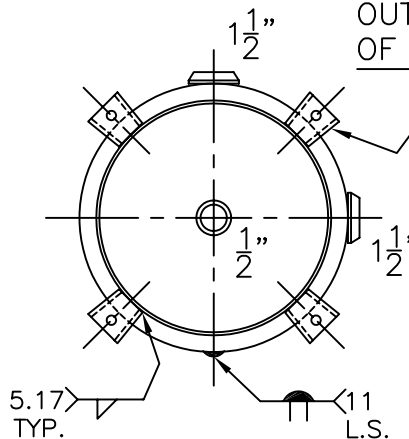


1/4" THK. CLIPS PER:  
 MA-395-B (4) PLC'S.  
 W/ 9/16" Ø HOLE ON  
 17 1/8" B.C.; WELD  
 OUTSIDE VERT. EDGE  
 OF CLIP ONLY



NOTE: 1) HYDRO @ 325 PSIG. MIN.

SHELL / HEADS		.135" SA-414-G 2:1 S.E.	
JOGGLE - .129" OFFSET			
.136" SA-414-G			
M.A.W.P.	250 PSIG. @ 400 °F		
M.D.M.T.	-20 °F @ 250 PSIG.		
ASME SECTION VIII	DIV. 1, 2007 ADD 2009		
X-RAY:	RT-NO		
GALLONS:	30	WT.	91 LBS.
SERIAL NO.			
N.B.			
16-VC-30-R		REV.	8-12-10
FOR: HANSON STANDARD		DATE:	10-13-86
VERT. AIR TANK			
SURFACE AREA = 14.9 SQ. FT.			
INSIDE: UNPAINTED			
OUTSIDE: PRIME			
BY: E.S.	SCALE: 1"=12"		
<b>ROY E. HANSON JR. MFG.</b>			
1600 E. WASHINGTON BLVD. LOS ANGELES, CA 90021			