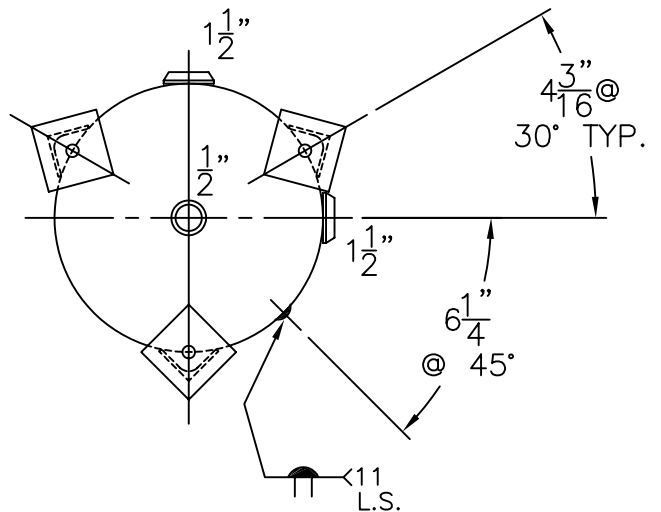


(3) 2 1/2" x 2 1/2" x 3/16" THK.
x 13 5/16" LG. ANGLE LEGS

(3) 4" x 4" x 1/4" THK.
PAD W/ 3/4" Ø HOLE
FOR 1/2" Ø x 8" LG. BOLTS
GRADE 5 OR BETTER
6" EMBEDMENT



NOTE: 1) HYDRO @ 390 PSIG. MIN.

SHELL / HEADS	
.135" SA-414-G	2:1 S.E.
JOGGLE - .159 OFFSET	
.164" SA-414-G	
M.A.W.P.	300 PSIG. @ 400 °F
M.D.M.T.	-20 °F @ 300 PSIG.
ASME. SECTION VIII	DIV. 1, 2007 ADD 2009
X-RAY:	RT-NO
GALLONS:	30 WT. 115 LBS.
SERIAL NO.	
N.B.	

16-VD-30-L	REV. 8-12-10
FOR: HANSON STANDARD	DATE: 6-21-99
VERT. AIR TANK	
SURFACE AREA = 14.7 SQ. FT.	
INSIDE: UNPAINTED	
OUTSIDE: PRIME	
BY: J.G.	SCALE: 1"=12"
ROY E. HANSON JR. MFG.	
1600 E. WASHINGTON BLVD.	
LOS ANGELES, CA 90021	