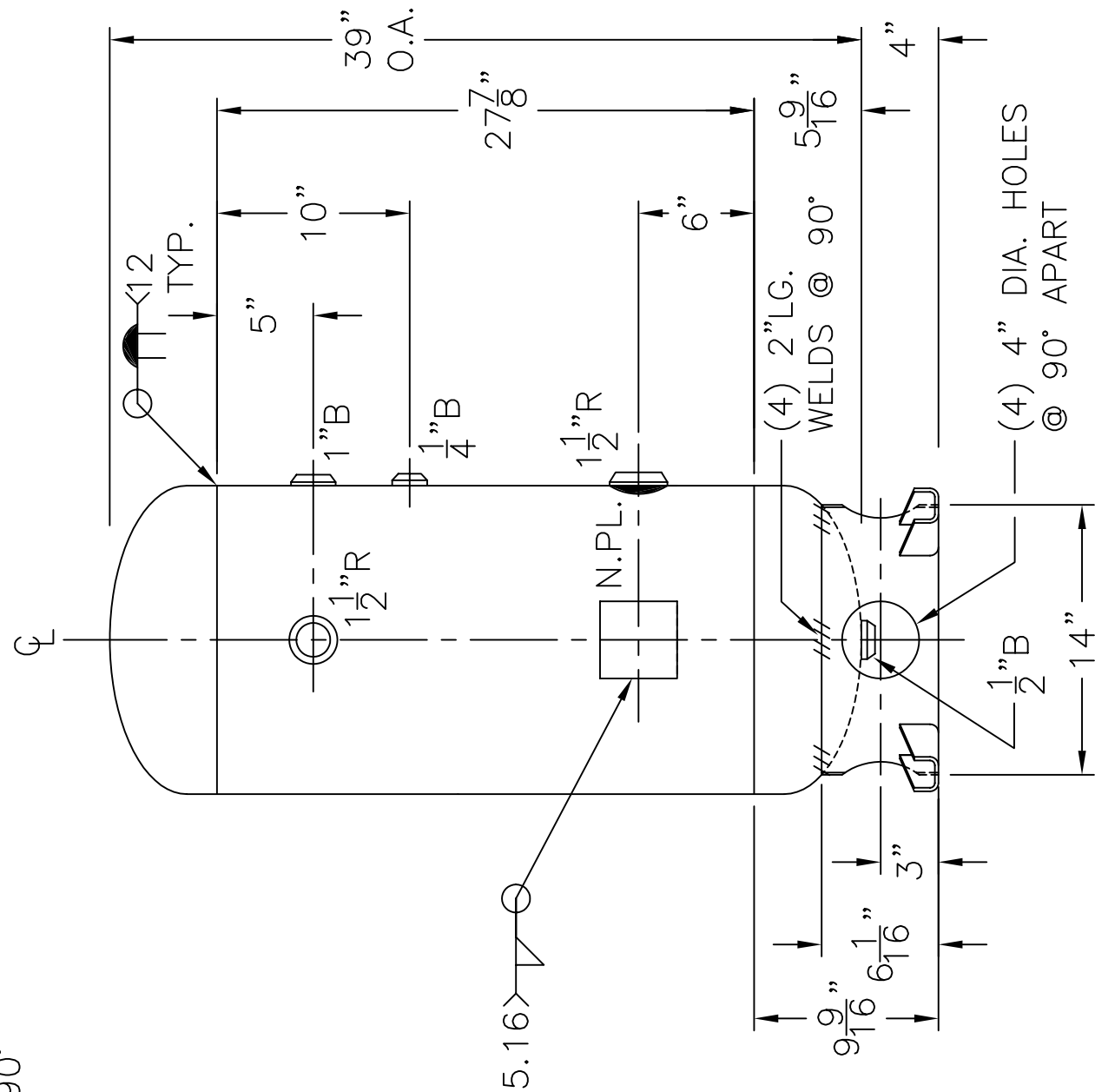
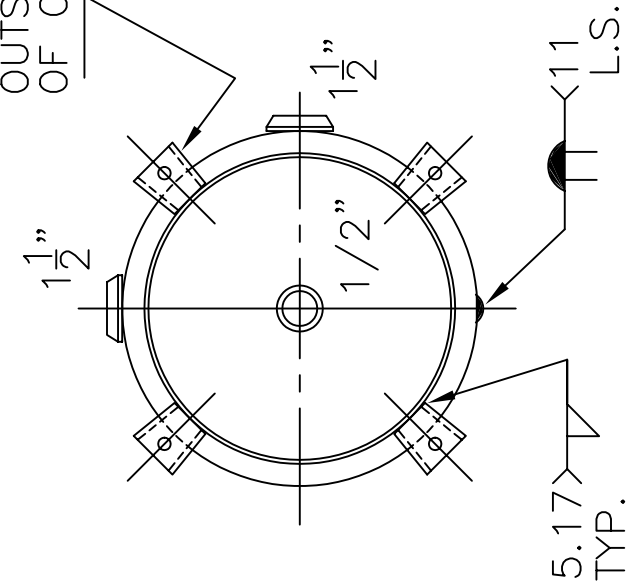


5.16 > .120" < 5.8 TYP.



5.16 >

3/16" THK. CLIPS PER
MA-395-B (4) PLC'S
W 9/16" Ø HOLE ON
17 1/8" B.C.; WELD
OUTSIDE VERT. EDGE
OF CLIP ONLY



NOTE: 1) HYDRO @ 391 PSIG. MIN.

| | | | |
|--------------------|-------------------------|---|---------------|
| HEADS | .135" SA-414-G 2:1 S.E. | 16-VD-30-R | REV. 12-27-07 |
| | JOGGLE - .159 OFFSET | | DATE: 6-21-99 |
| SHELL | .164" SA-414-G | FOR: HANSON STANDARD VERT. AIR TANK | |
| | | INSIDE: UNPAINTED | |
| M.A.W.P. | 300 PSIG. @ 400 °F | OUTSIDE: PRIME | |
| M.D.M.T. | -20 °F @ 300 PSIG. | BY: J.G. SCALE: 1"=12" | |
| ASME. SECTION VIII | DIV. 1, 2007 ADD 2007 | ROY E. HANSON JR. MFG. | |
| X-RAY: | RT-NO | 1600 E. WASHINGTON BLVD. LOS ANGELES, CA 90021 | |
| GALLONS: | 30 | WT. 113 | LBS. |
| SERIAL NO. | | | |
| N.B. | | | |