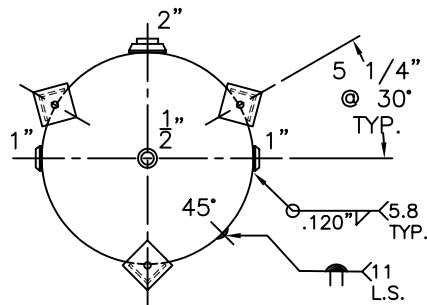


(3) 2 1/2" x 2 1/2" x 3/16" THK.
x 16 1/16" LG. ANGLE LEGS

(3) 4" x 4" x 1/4" THK.
PAD W/ 3/4" Ø HOLE
FOR 1/2" Ø x 8" LG. BOLTS
GRADE 5 OR BETTER
6" EMBEDMENT



NOTE: 1) HYDRO @ 325 PSIG. MIN.

SHELL / HEADS	
.136" SA-414-G	2:1 S.E.
JOGGLE - .149" OFFSET	
.166" SA-414-G	
M.A.W.P.	250 PSIG. @ 400 °F
M.D.M.T.	-20 °F @ 250 PSIG.
ASME. SECTION VIII	DIV. 1, 2007 ADD 2008
X-RAY:	RT-NO
GALLONS:	60
SERIAL NO.	WT. 177 LBS.
N.B.	

20-VC-60-L	REV. 1-16-09
FOR: HANSON STANDARD	DATE: 10-21-92
VERT. AIR TANK	
INSIDE: UNPAINTED	
OUTSIDE: PRIME	
LEG-ZONE 4-15 KM.	
CAD "B" SIZE UNDER "STD"-SERIES	
BY: E.S.	SCALE: 1"=12"
ROY F. HANSON JR. MFG.	
1600 E. WASHINGTON BLVD.	
LOS ANGELES, CA 90021	