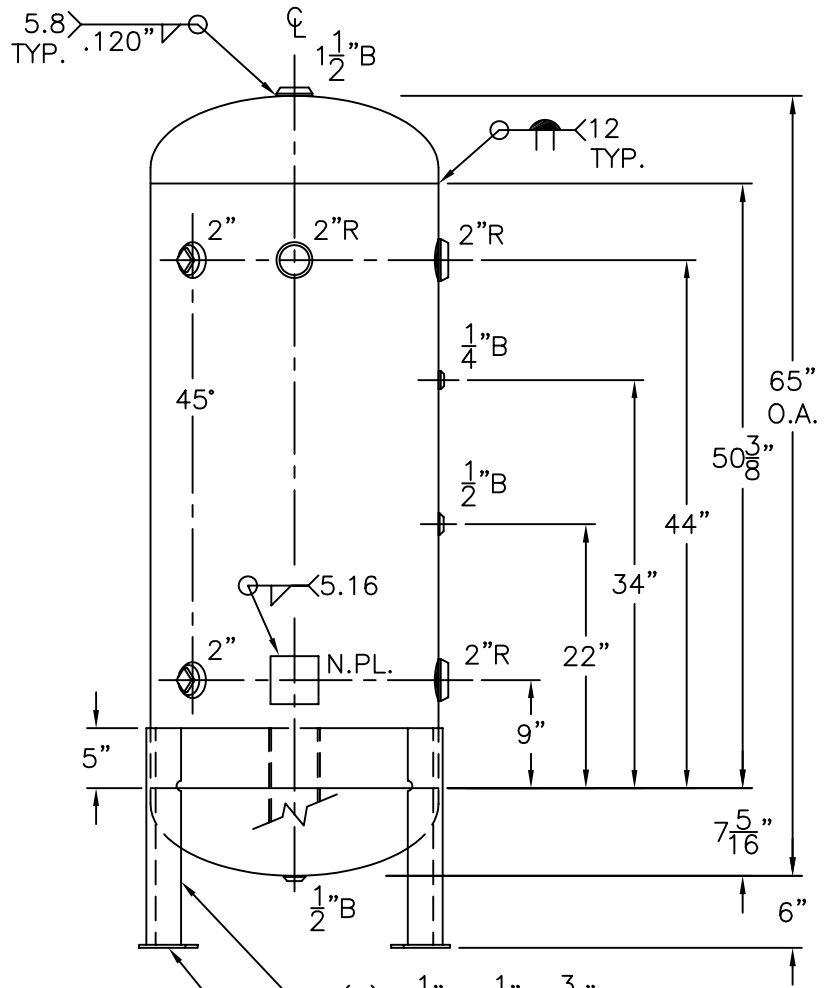
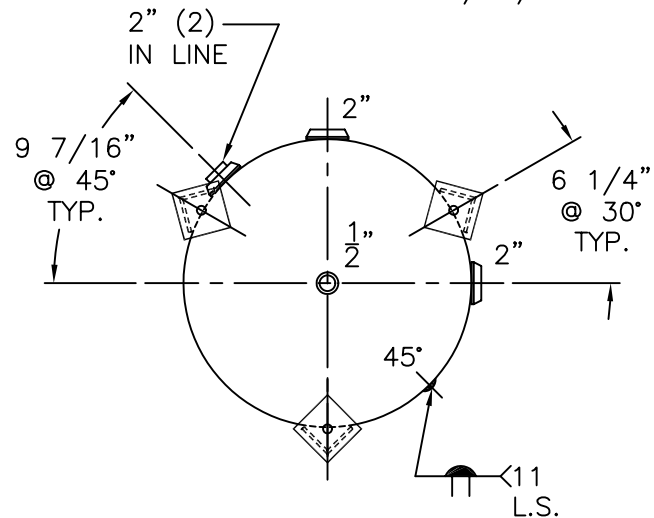


2"R W/ C.I. PLUG  
FOR INSPECTION  
OPENINGS  
(2) PLC'S.



(3) 2 1/2" x 2 1/2" x 3/16" THK.  
x 18 1/16" LG. ANGLE LEG  
(3) 4" x 4" x 1/4" THK.  
PAD W/ 3/4" Ø HOLE



NOTE: 1) HYDRO @ 325 PSIG. MIN.

SHELL / HEADS	200" SA-455
M.A.W.P.	250 PSIG. @ 400 °F
M.D.M.T.	-20 °F @ 250 PSIG.
ASME. SECTION VIII	DIV. 1, 2001 ADD 2002
X-RAY:	RT-NO
GALLONS:	120
WT.	333 LBS.
SERIAL NO.	
N.B.	

24-VC-120-L	REV. 10-2-03
FOR: HANSON STANDARD	DATE: 6-12-84
VERT. AIR TANK	
INSIDE: UNPAINTED	
OUTSIDE: PRIME	
BY: E.S.	LEG-ZONE 4-15 KM.
SCALE: 3/4" = 12"	
<b>ROY E. HANSON JR. MFG.</b>	
1924 COMPTON AVE.	
LOS ANGELES, CA 90011	