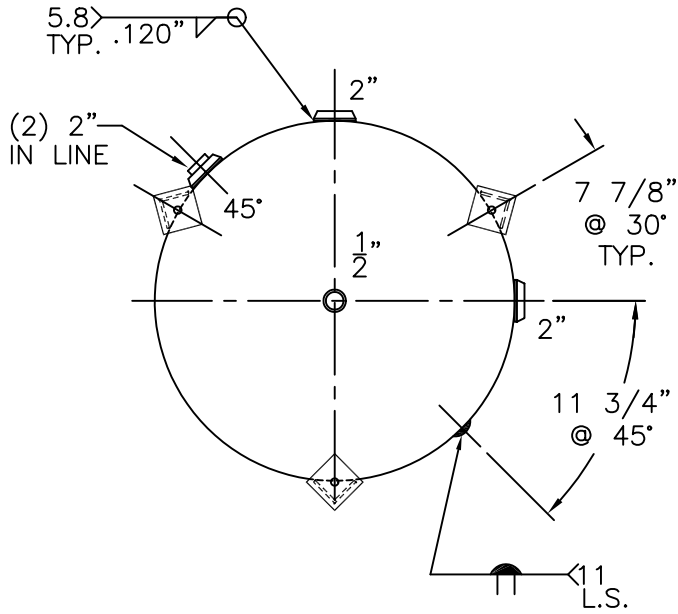


(3) 2 1/2" x 2 1/2" x 3/16" THK.  
x 21 1/16" LG. ANGLE LEGS

(3) 4" x 4" x 1/4" THK.  
PADS W/ 3/4" Ø HOLES



NOTE: 1) HYDRO @ 262 PSIG. MIN.

SHELL / HEADS		M.A.W.P. 200 PSIG. @ 400 °F		30-VA-200-L		REV. 9-9-05
.166" SA-414-G 2:1 S.E.		M.D.M.T. -20 °F @ 200 PSIG.		FOR: HANSON STANDARD		DATE: 6-17-83
(1.64" MIN.) JOGGLE		ASME SECTION VIII DIV. 1, 2004 ADD 2004		VERT. AIR TANK		
GREEN STRIPE		X-RAY: RT-4 SPOT L.S.		INSIDE: UNPAINTED		
.165" SA-414-G		GALLONS: 200		OUTSIDE: PRIME		
		SERIAL NO. WT. 401 LBS.		LEG-ZONE 4-15 KM.		
		N.B.		BY: E.S.		
				SCALE: 3/4" = 12"		
				<b>ROY E. HANSON JR. MFG.</b>		
				1924 COMPTON AVE.		
				LOS ANGELES, CA 90011		