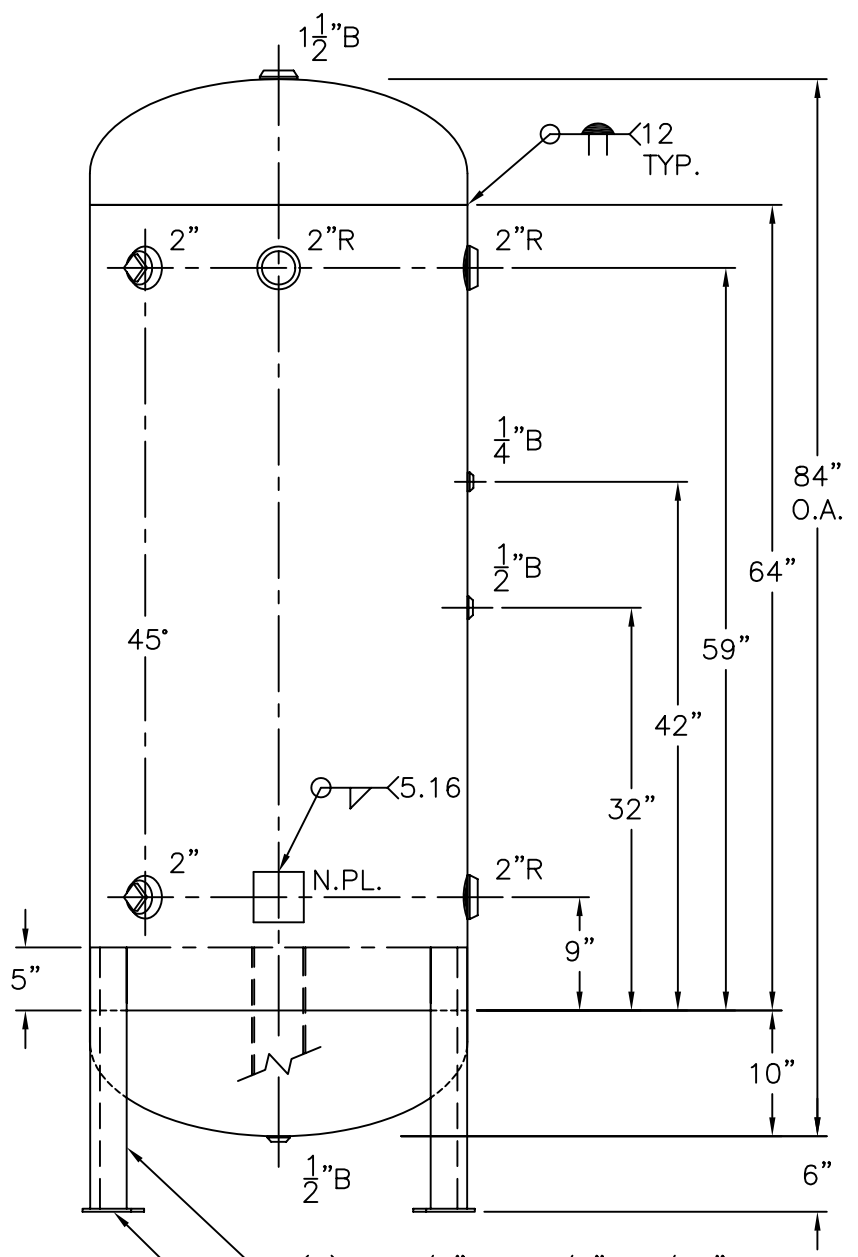
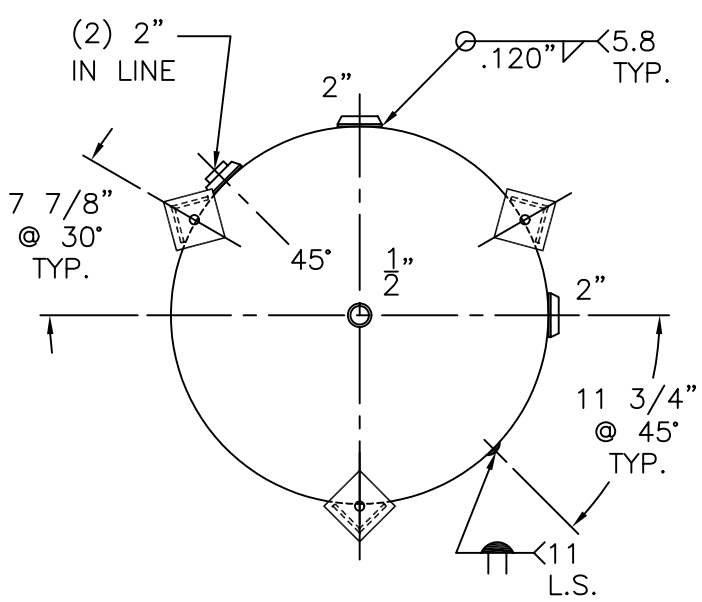


2"R W/ C.I. PLUG
INSP. OPENING
(2) PLC'S.



(3) 2 1/2" x 2 1/2" x 3/16" THK.
x 20 3/4" LG. ANGLE LEGS

(3) 4" x 4" x 1/4" THK.
PAD W/ 3/4" Ø HOLE



NOTE: 1) HYDRO @ 390 PSIG. MIN.

SHELL / HEADS	
.250" SA-455	2:1 S.E.
(.244" MIN.) JOGGLE	
.250" SA-455	
M.A.W.P.	300 PSIG. @ 400 °F
M.D.M.T.	-20 °F @ 300 PSIG.
ASME SECTION VIII	DIV. 1, 2001 ADD 2002
X-RAY: RT-4 SPOT L.S.	NOT G.S.
GALLONS: 240	WT. 662 LBS.
SERIAL NO.	
N.B.	

30-VD-240-1		REV. 8-13-03
FOR: HANSON STANDARD		DATE: 12-17-86
VERT. AIR TANK		
INSIDE:	UNPAINTED	
OUTSIDE:	PRIME	
LEG-ZONE	4-15 KM.	
BY: J.G.	SCALE: 3/4"=12"	
ROY F. HANSON JR. MFG.		
1924 COMPTON AVE.		
LOS ANGELES, CA 90011		