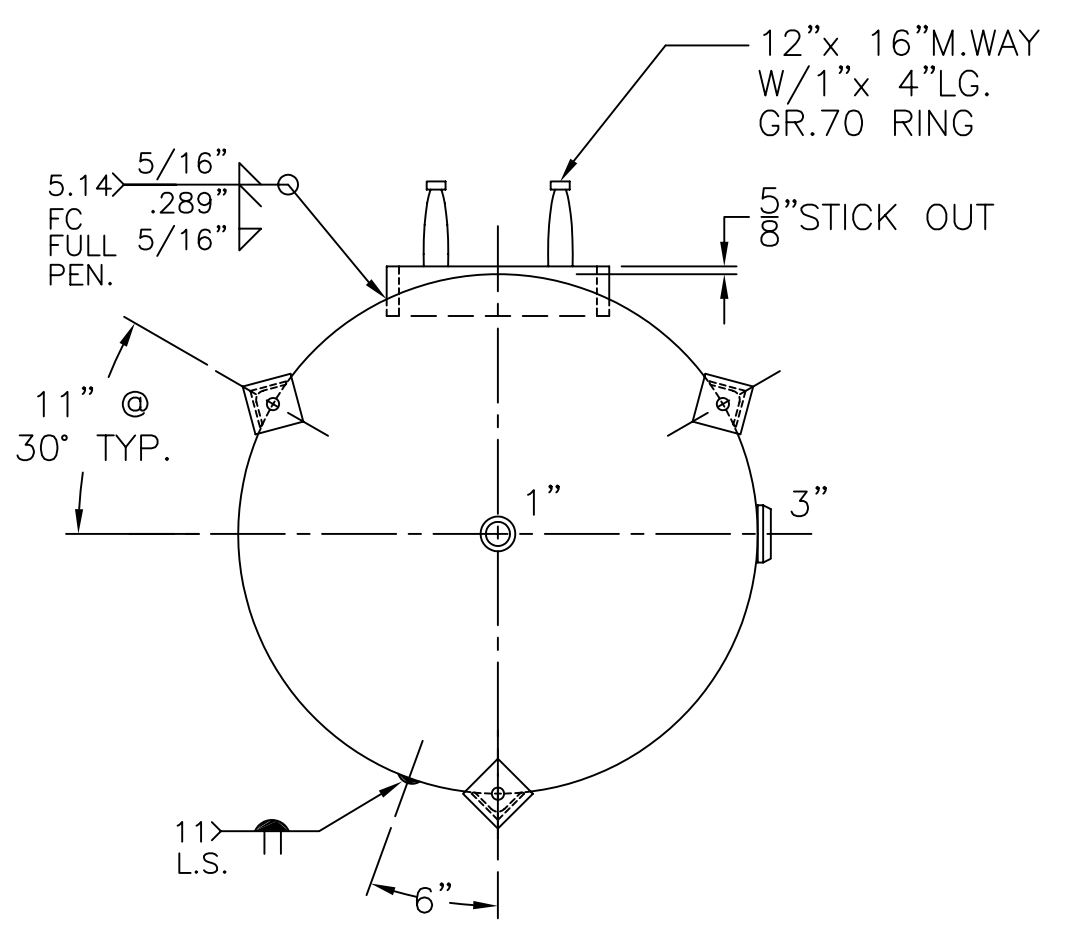


(3) 3"x 3"x 3/16"THK. x 23 3/4"LG. ANGLE LEGS
 (3) 4" x 4" x 1/4"THK. PAD W/7/8"Ø HOLE FOR 5/8"Ø x 8"LG. BOLTS GRADE 5 OR BETTER (6) EMBEDMENT



NOTE: 1) HYDRO @ 325 PSIG. MIN.

SHELL / HEADS		.289" SA-455 2:1 S.E.	
JOGGLE (.285"MIN.)			
.289" SA-455			
M.A.W.P.	250 PSIG. @ 400 °F	42-VC-660-L	REV. 8-26-09
M.D.M.T.	-20 °F @ 250 PSIG.	FOR: HANSON STANDARD	DATE: 2-5-80
ASME SECTION VIII	DIV. 1, 2007 ADD 2008	VERT. AIR TANK	SURFACE AREA = 117.3 SQ. FT.
X-RAY: RT-4 SPOT L.S. ONLY		INSIDE: UNPAINTED	
GALLONS: 660	WT. 1479 LBS.	OUTSIDE: PRIME	
SERIAL NO.		CAD "B" SIZE UNDER "STD"-SERIES	
N.B.		BY: J.G.	SCALE: 3/4"=12"
		ROY E. HANSON JR. MFG.	
		1600 E. WASHINGTON BLVD.	
		LOS ANGELES, CA 90021	