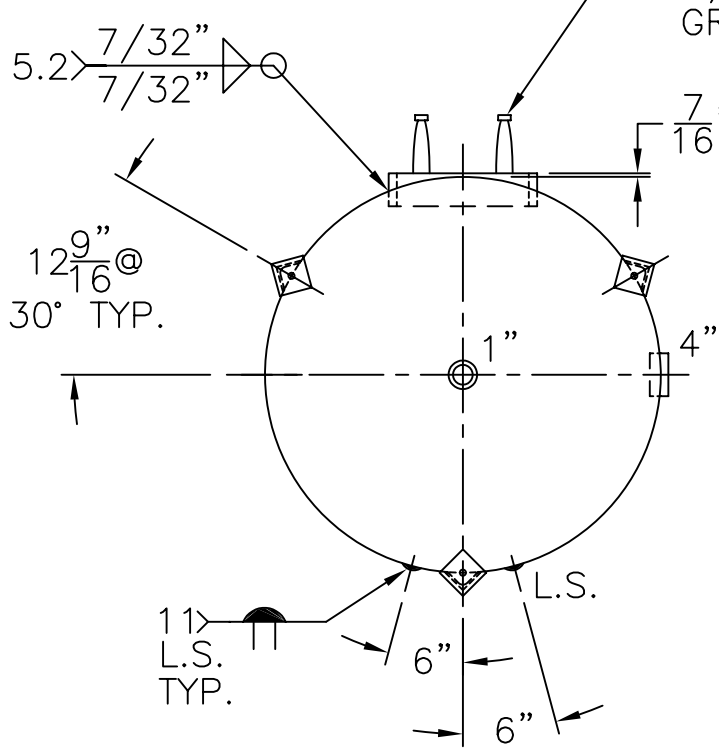


(3) 3" x 3" x 1/4" THK. x 25 3/8" LG. ANGLE LEGS

(3) 4" x 4" x 3/8" THK. PAD W/3/4" ϕ HOLE

12" x 16" M.WAY W/3/4" x 4" LG. GR.70 RING

7/16" STICK OUT



NOTE: 1) HYDRO @ 163 PSIG. MIN.

SHELL / HEADS		.245" SA-36 2:1 S.E.	
		(.211" MIN.) JOGGLE	
		.200" SA-455	
M.A.W.P.	125 PSIG. @ 400 °F	48-VG-1060-L	REV. 5-27-03
M.D.M.T.	-20 °F @ 125 PSIG.	FOR: HANSON STANDARD	DATE: 10-26-94
ASME. SECTION VIII	DIV. 1, 2001 ADD 2002	VERT. AIR TANK	
X-RAY:	RT-NO	INSIDE: UNPAINTED	
GALLONS:	1060	OUTSIDE: PRIME	
SERIAL NO.		CAD "B" SIZE UNDER "STD"-SERIES	
N.B.		BY: E.S.	
		SCALE: 1/2" = 12"	
		ROY E. HANSON JR. MFG.	
		1924 COMPTON AVE.	
		LOS ANGELES, CA 90011	