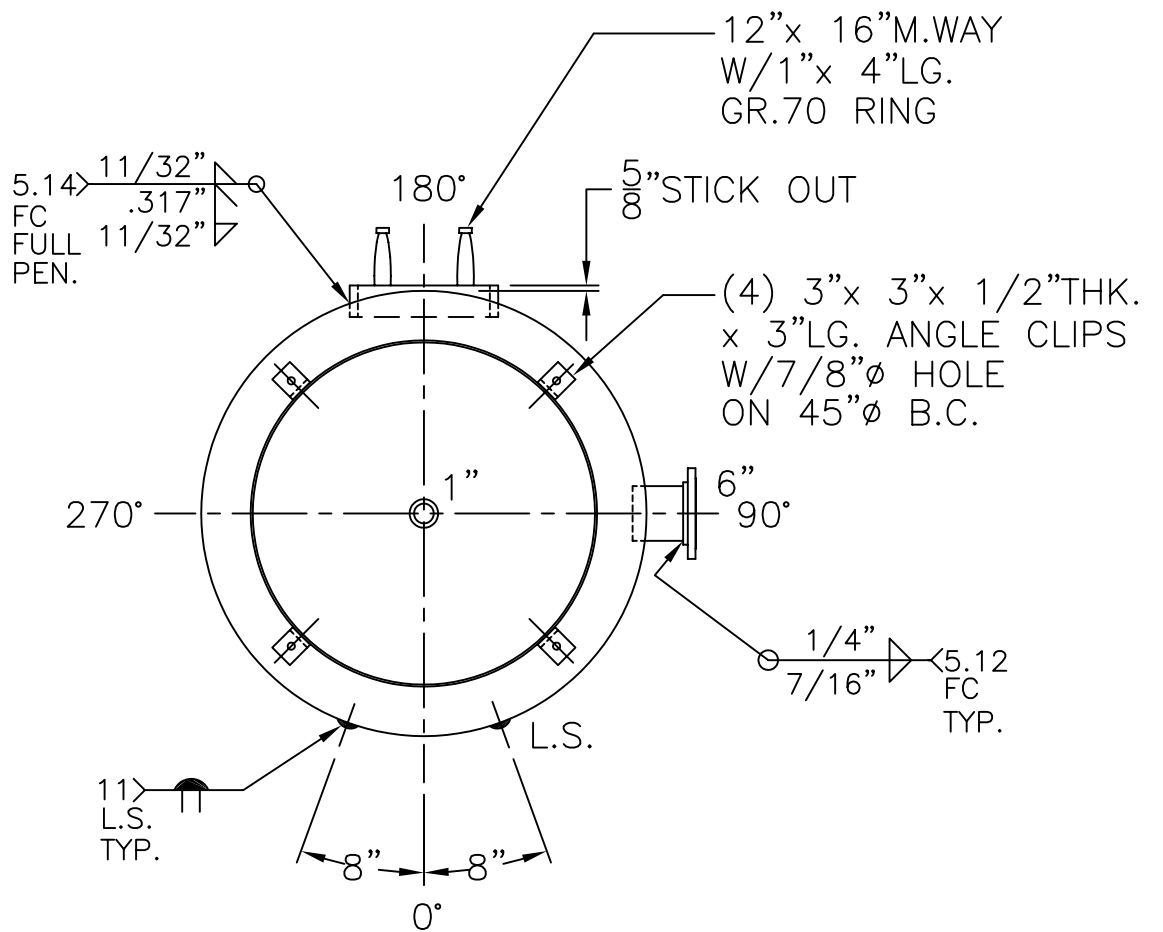
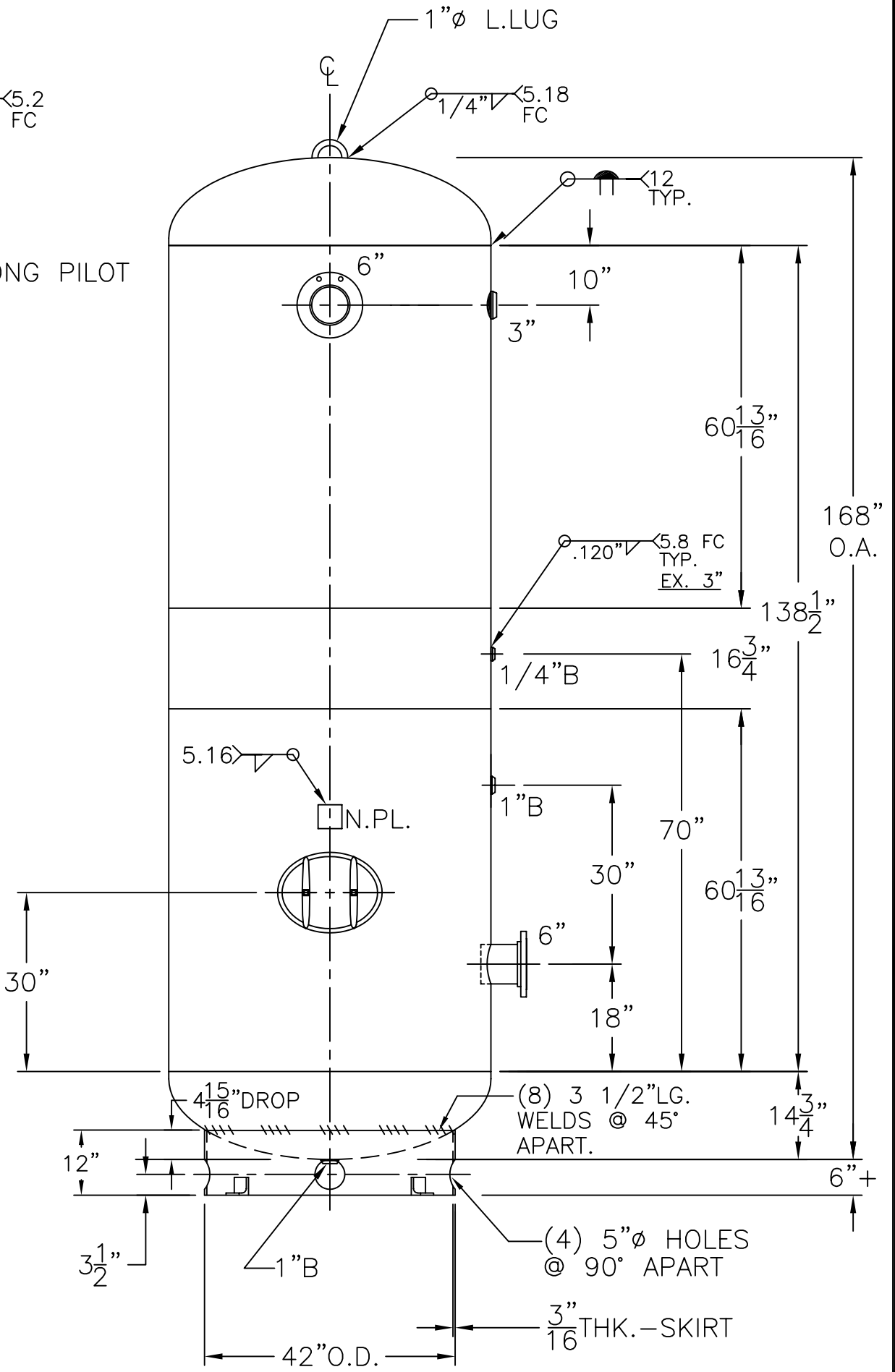


6"-150# R.F.S.O.  
 FLG. W/SCH 80  
 SA-106-B  
 PIPE x 7 5/8"LG.  
 (2) PLC'S



NOTE: 1) HYDRO @ 260 PSIG. MIN.

SHELL / HEADS		.3125" SA-455 2:1 S.E. (.253" MIN.)	
M.A.W.P.	200 PSIG. @ 400 °F		
M.D.M.T.	-20 °F @ 200 PSIG.		
ASME SECTION VIII	DIV. 1, 2010 ADD 2010		
X-RAY:	RT-4 SPOT L.S. & HDS. G.S.		
GALLONS:	1550	WT.	3225 LBS.
SERIAL NO.			
N.B.			
FOR: HANSON STANDARD		54-VA-1550-R	
VERT. AIR TANK		REV. 8-8-11	
SURFACE AREA = 210.0 SQ. FT.		DATE: 1-29-99	
UW-21 (b)			
INSIDE: UNPAINTED			
OUTSIDE: PRIME			
CAD "B" SIZE UNDER "STD"-SERIES			
BY: J.G.		SCALE: 1/2" = 12"	
<b>ROY E. HANSON JR. MFG.</b>			
1600 E. WASHINGTON BLVD.			
LOS ANGELES, CA 90021			