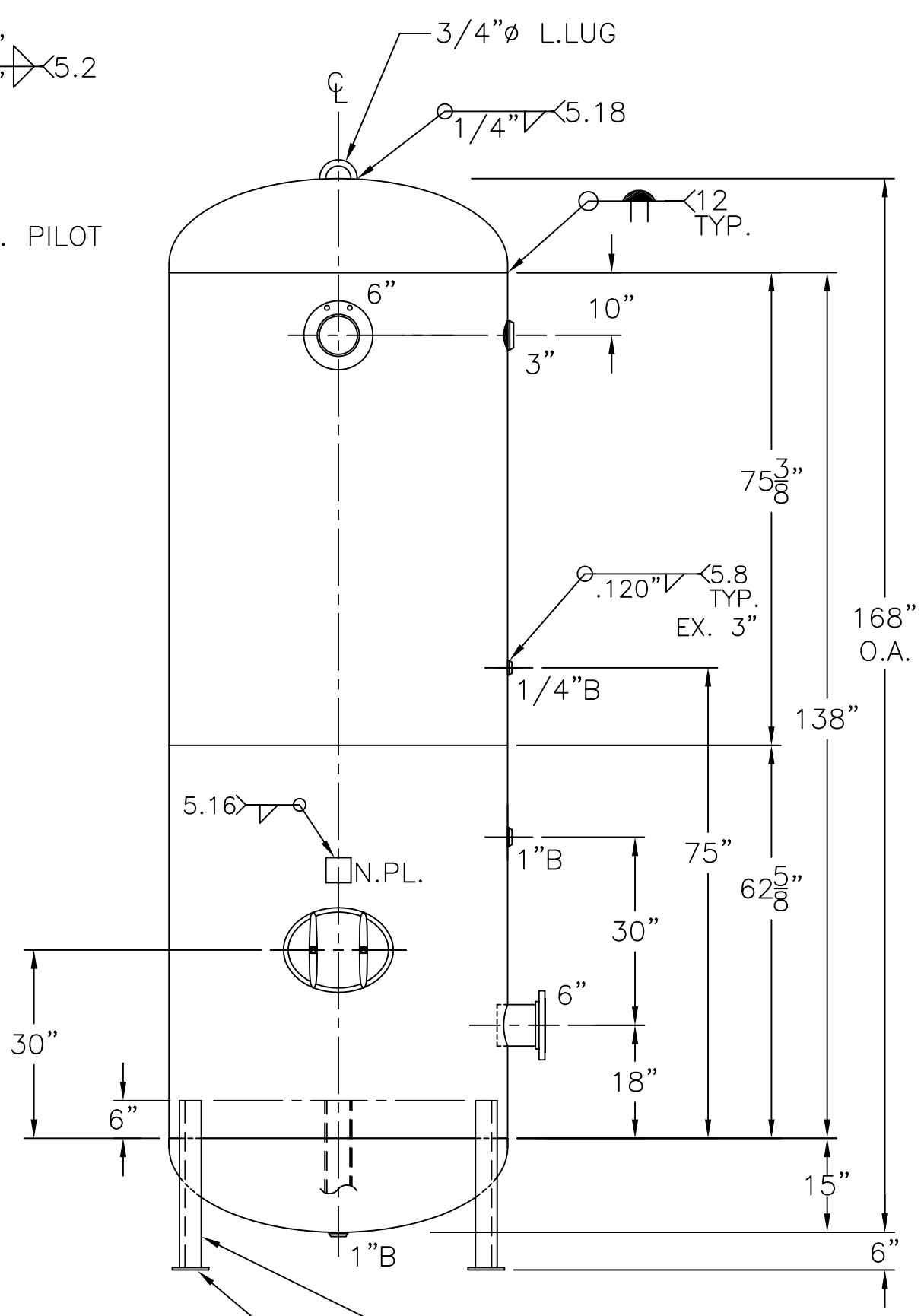
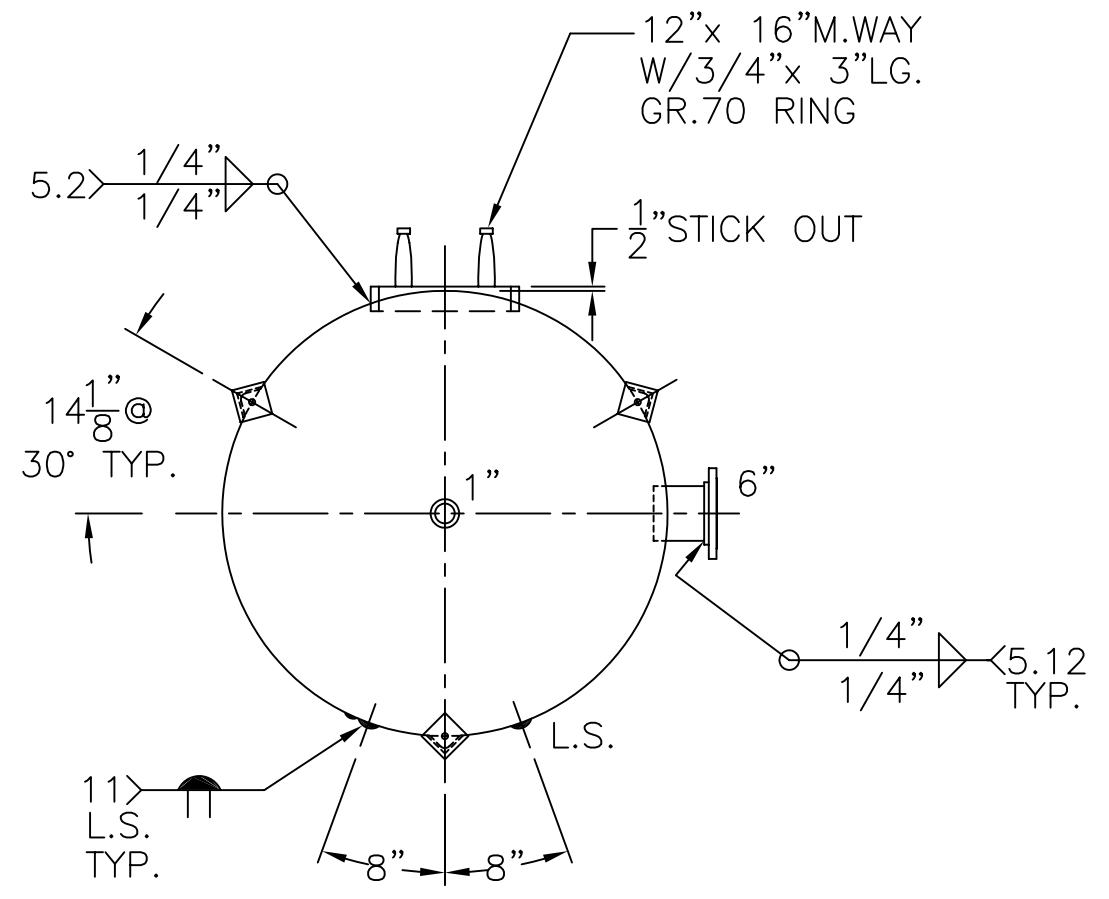


6"-150# R.F.S.O.
 FLG. W/SCH 40
 PIPE x 7 9/16"LG.
 (2) PLC'S



(3) 3" x 3" x 1/4" THK.
 x 26 5/8" LG. ANGLE LEGS

(3) 4" x 4" x 3/8" THK.
 PAD W/3/4" Ø HOLE



NOTE: 1) HYDRO @ 163 PSIG. MIN.

SHELL / HEADS		.250" SA-516-70 2:1 S.E.	
JOGGLE			
.225" SA-455			
M.A.W.P.	125 PSIG. @ 400 °F		
M.D.M.T.	-20 °F @ 125 PSIG.		
ASME SECTION VIII	DIV. 1, 2001 ADD 2002		
X-RAY:	RT-NO		
GALLONS:	1550	WT. 2212	LBS.
SERIAL NO.			
N.B.			
54-VG-1550-L		REV. 12-10-02	
FOR: HANSON STANDARD		DATE: 3-24-95	
VERT. AIR TANK			
INSIDE: UNPAINTED			
OUTSIDE: PRIME			
CAD "B" SIZE UNDER "STD"-SERIES			
BY: J.G.	SCALE: 1/2" = 12"		
ROY E. HANSON JR. MFG.			
1924 COMPTON AVE.			
LOS ANGELES, CA 90011			