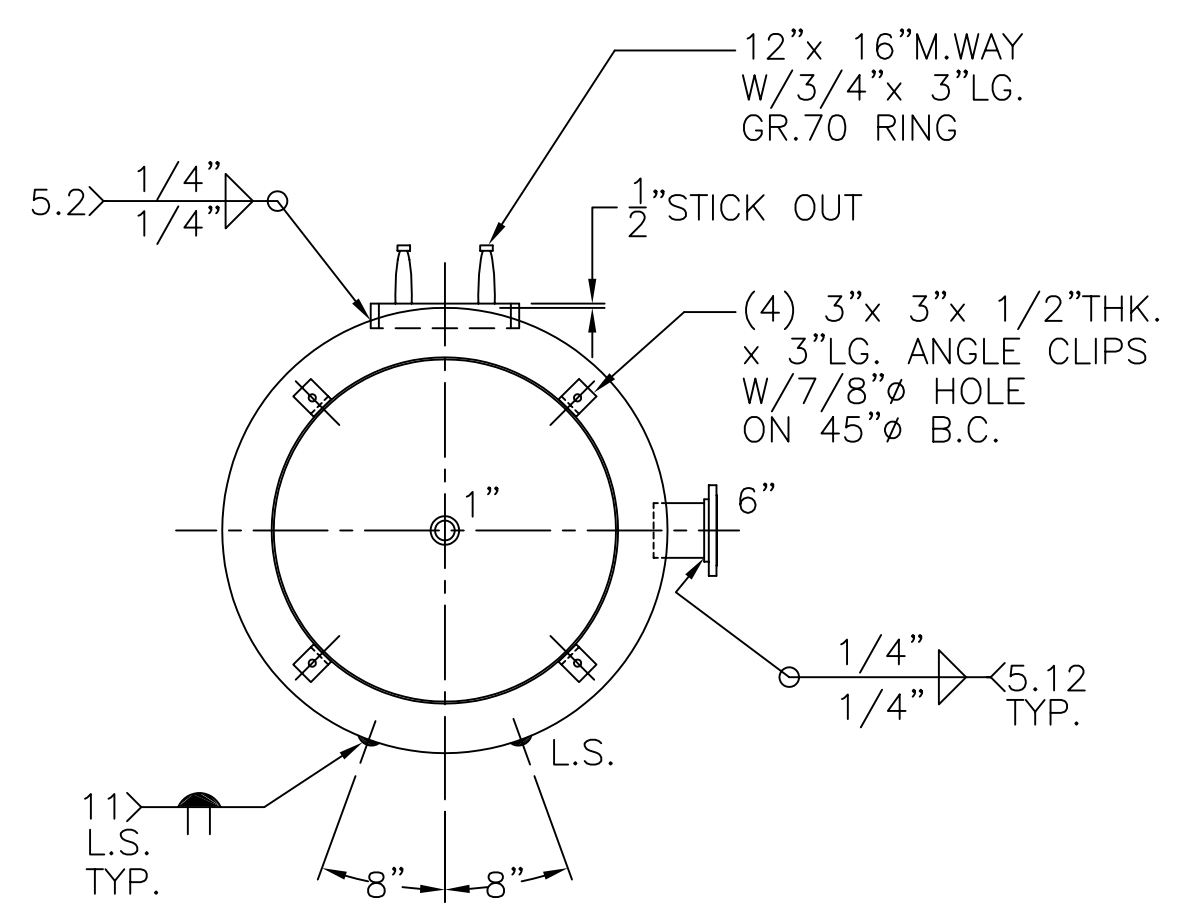
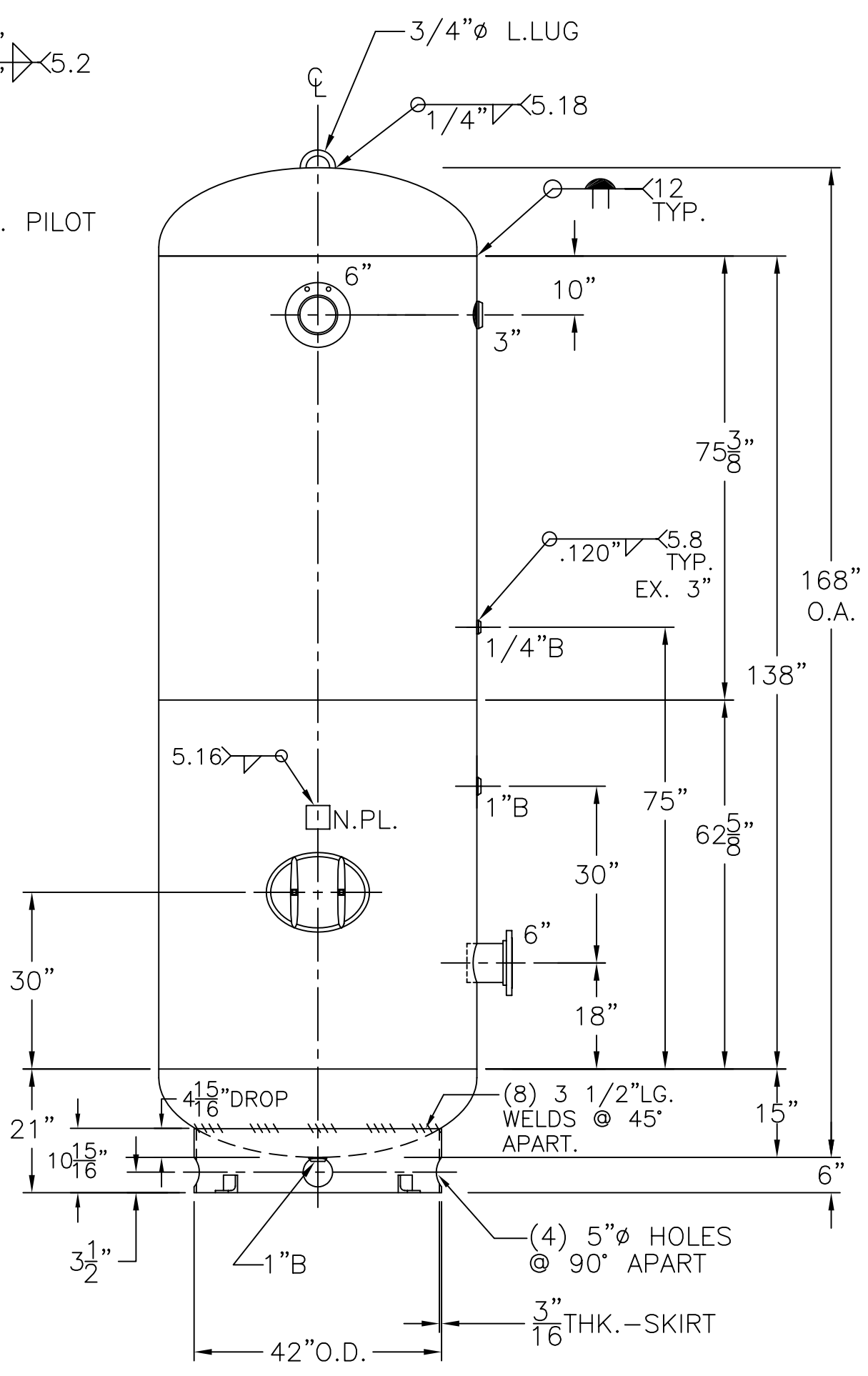


6"-150# R.F.S.O.
 FLG. W/SCH 40
 PIPE x 7 9/16"LG.
 (2) PLC'S



NOTE: 1) HYDRO @ 163 PSIG. MIN.

SHELL / HEADS		.250" SA-516-70 2:1 S.E.	
JOGGLE			
.225" SA-455			
M.A.W.P.	125 PSIG. @ 400 °F		
M.D.M.T.	-20 °F @ 125 PSIG.		
ASME SECTION VIII DIV. 1, 2001 ADD 2002			
X-RAY:	RT-NO		
GALLONS:	1550	WT.	2260 LBS.
SERIAL NO.			
N.B.			
INSIDE: UNPAINTED		54-VG-1550-R	
OUTSIDE: PRIME		FOR: HANSON STANDARD	
CAD "B" SIZE UNDER "STD"-SERIES		VERT. AIR TANK	
BY: J.G.		SCALE: 1/2" = 12"	
ROY E. HANSON JR. MFG.		REV. 12-9-02	
1924 COMPTON AVE.		DATE: 3-17-94	
LOS ANGELES, CA 90011			