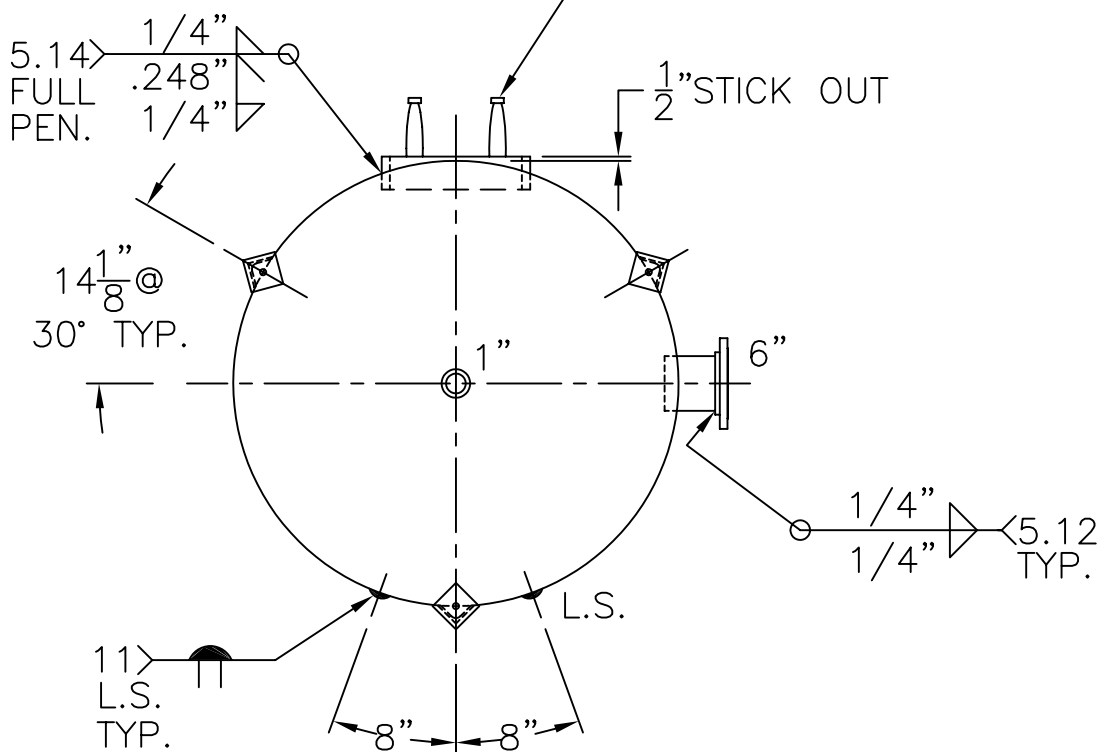


(3) 3" x 3" x 1/4" THK.  
x 27 7/8" LG. ANGLE LEGS

(3) 4" x 4" x 3/8" THK.  
PAD W/3/4" Ø HOLE

12" x 16" M.WAY  
W/1" x 4" LG.  
GR.70 RING

1/2" STICK OUT



NOTE: 1) HYDRO @ 215 PSIG. MIN.

SHELL / HEADS		.250" SA-455 2:1 S.E. (.243" MIN.) JOGGLE	
M.A.W.P.	165 PSIG. @ 400 °F		
M.D.M.T.	-20 °F @ 165 PSIG.		
ASME SECTION VIII	DIV. 1, 2001 ADD 2003		
X-RAY:	RT-4 SPOT L.S. ONLY		
GALLONS:	1550	WT. 2411	LBS.
SERIAL NO.			
N.B.			
INSIDE: UNPAINTED		54-VM-1550-L	
OUTSIDE: PRIME		REV. 1-21-04	
CAD "B" SIZE UNDER "STD"-SERIES		DATE: 3-8-99	
BY: J.G.		FOR: HANSON STANDARD	
SCALE: 1/2" = 12"		VERT. AIR TANK	
ROY E. HANSON JR. MFG.		INSIDE: UNPAINTED	
1924 COMPTON AVE.			
LOS ANGELES, CA 90011			