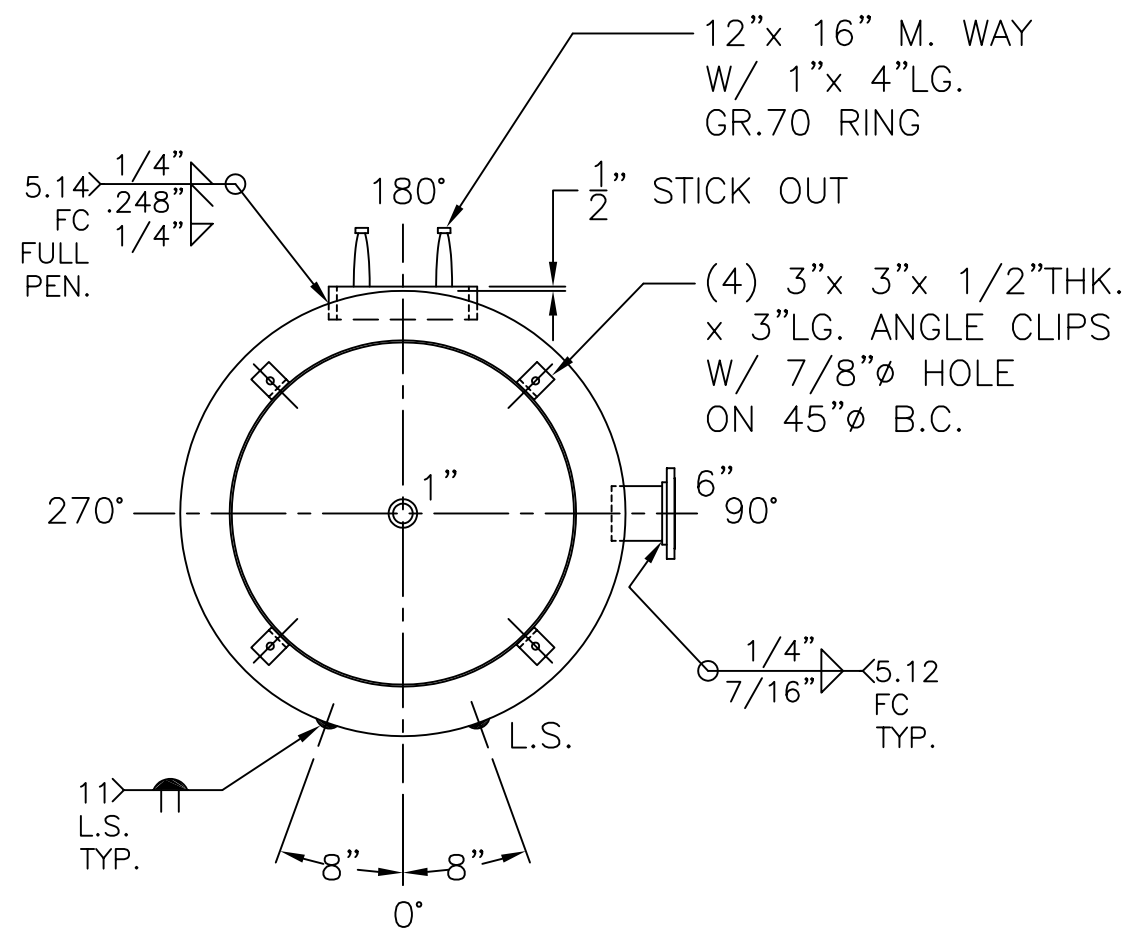
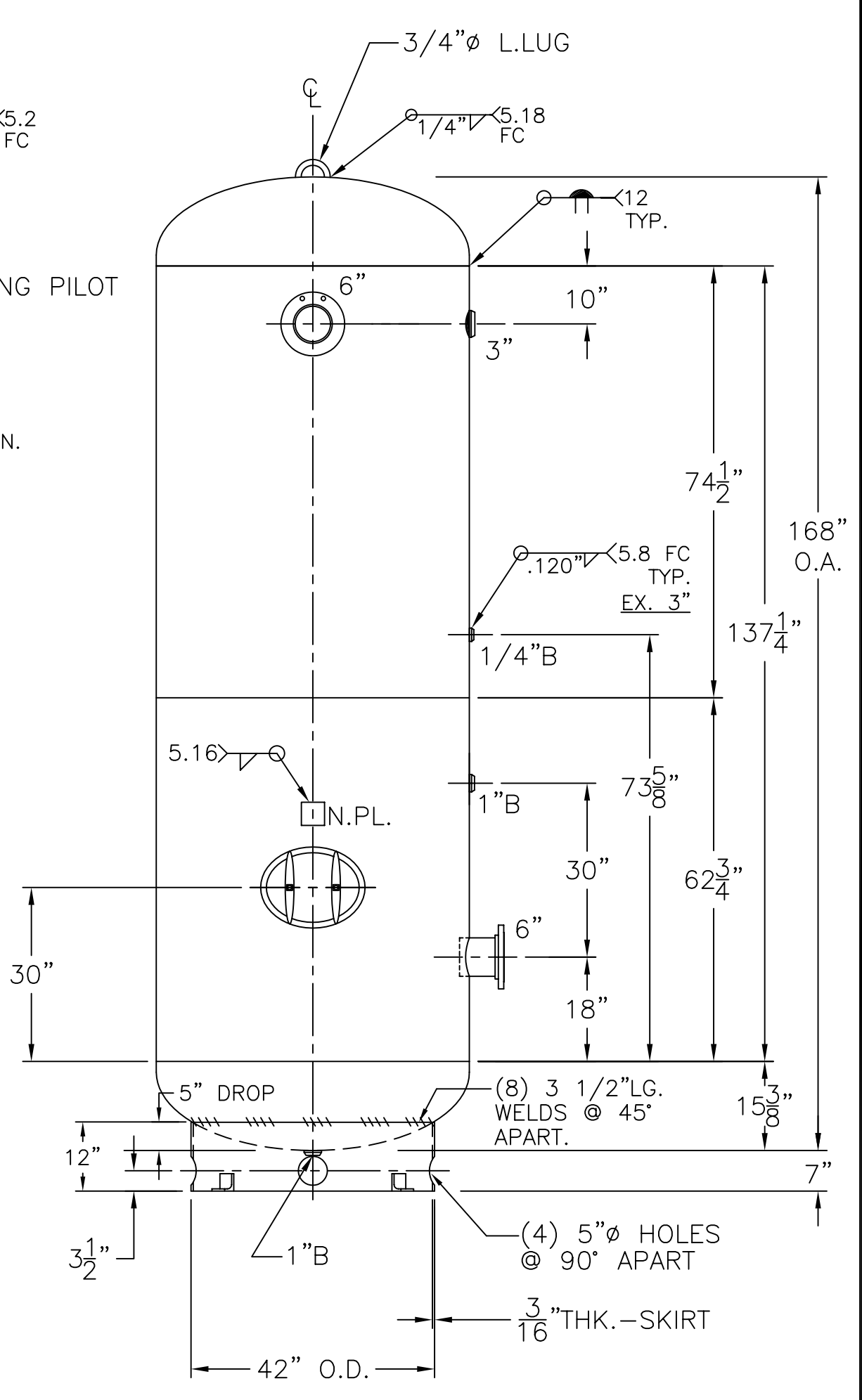


6"-150# R.F.S.O.
 FLG. W/ SCH. 80
 SA-106-B
 PIPE x 7 5/8" LG.
 (2) PLC'S.



NOTE: 1) HYDRO @ 215 PSIG. MIN.

SHELL / HEADS		M.A.W.P. 165 PSIG. @ 400 °F		M.D.M.T. -20 °F @ 165 PSIG.		ASME. SECTION VIII DIV. 1, 2010 ADD 2010		X-RAY: RT-4 SPOT L.S. ONLY		GALLONS: 1550 WT. 2459 LBS.		SERIAL NO.		N.B.	
.250" SA-455 2:1 S.E. (.242" MIN.) JOGGLE															
.248" SA-455															
54-VM-1550-R		FOR: HANSON STANDARD		VERT. AIR TANK		UW-21(b)		INSIDE: UNPAINTED		OUTSIDE: PRIME		CAD "B" SIZE UNDER "STD"-SERIES		BY: J.G.	
REV. 8-8-11		DATE: 1-26-99													
1600 E. WASHINGTON BLVD.		LOS ANGELES, CA 90021													

ROY E. HANSON JR. MFG.