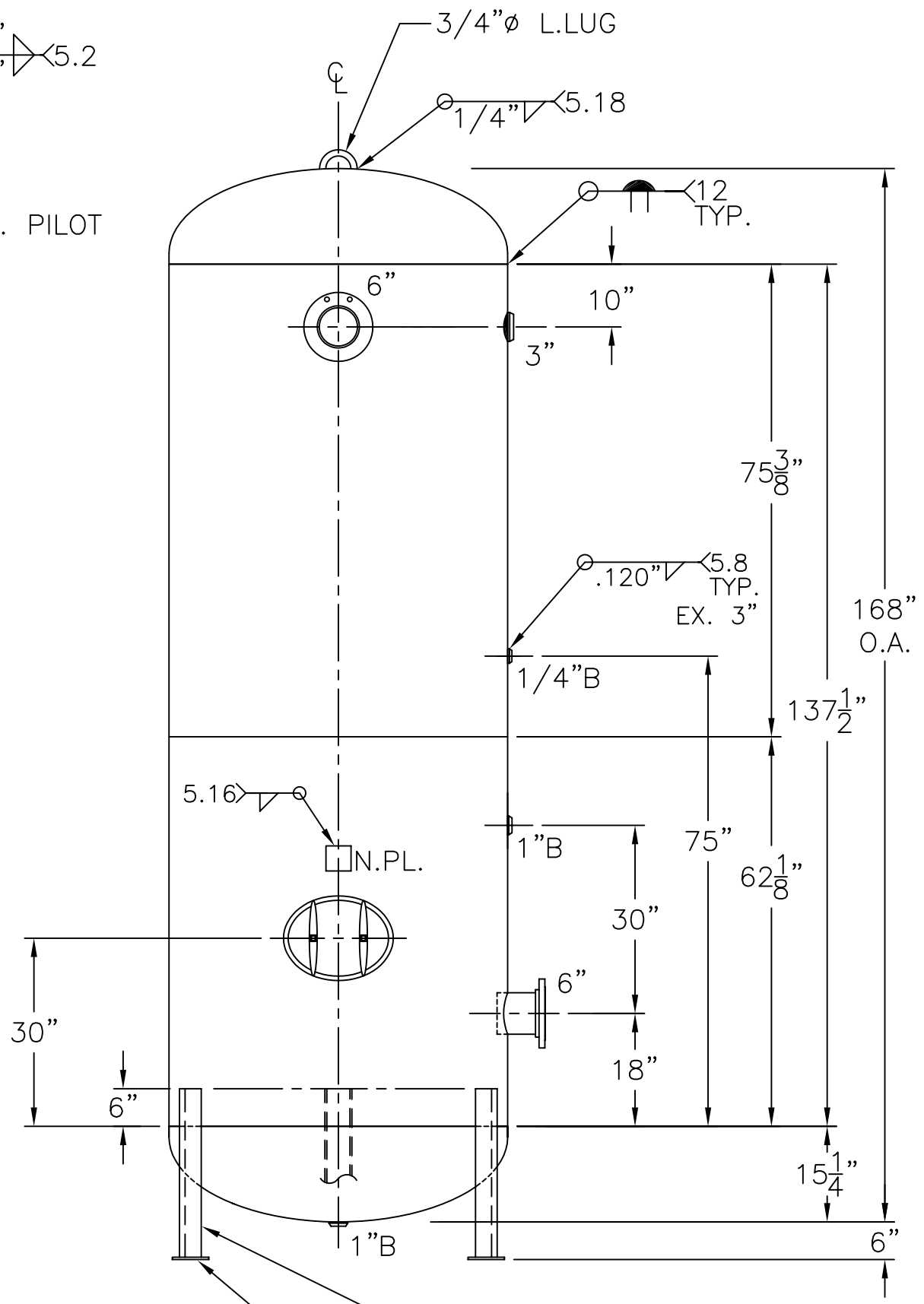
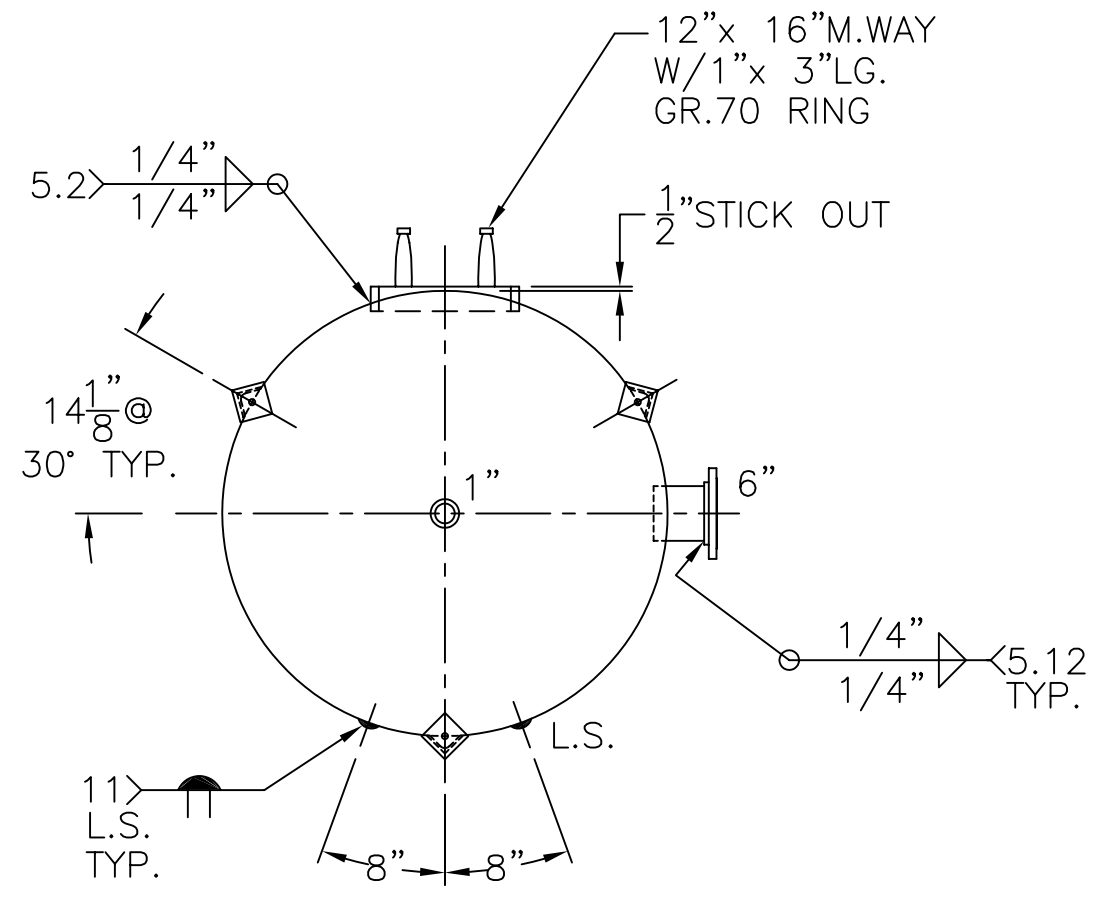


6"-150# R.F.S.O.
 FLG. W/SCH 80
 PIPE x 7 5/8"LG.
 (2) PLC'S



(3) 3" x 3" x 1/4" THK.
 x 26 7/8" LG. ANGLE LEGS

(3) 4" x 4" x 3/8" THK.
 PAD W/3/4" Ø HOLE



NOTE: 1) HYDRO @ 179 PSIG. MIN.

SHELL / HEADS		.250" SA-516-70 2:1 S.E. (.216" MIN.) JOGGLE	
M.A.W.P.	137 PSIG. @ 400 °F		
M.D.M.T.	-20 °F @ 137 PSIG.		
ASME SECTION VIII	DIV. 1, 2001 ADD 2002		
X-RAY:	RT-4 SPOT L.S.		
GALLONS:	1550	WT. 2187	LBS.
SERIAL NO.			
N.B.			
INSIDE: UNPAINTED		54-VQ-1550-L	
OUTSIDE: PRIME		REV. 10-1-03	
CAD "B" SIZE UNDER "STD"-SERIES		DATE: 4-6-99	
BY: E.S.		FOR: HANSON STANDARD	
SCALE: 1/2" = 12"		VERT. AIR TANK	
ROY E. HANSON JR. MFG.		INSIDE: UNPAINTED	
1924 COMPTON AVE.			
LOS ANGELES, CA 90011			