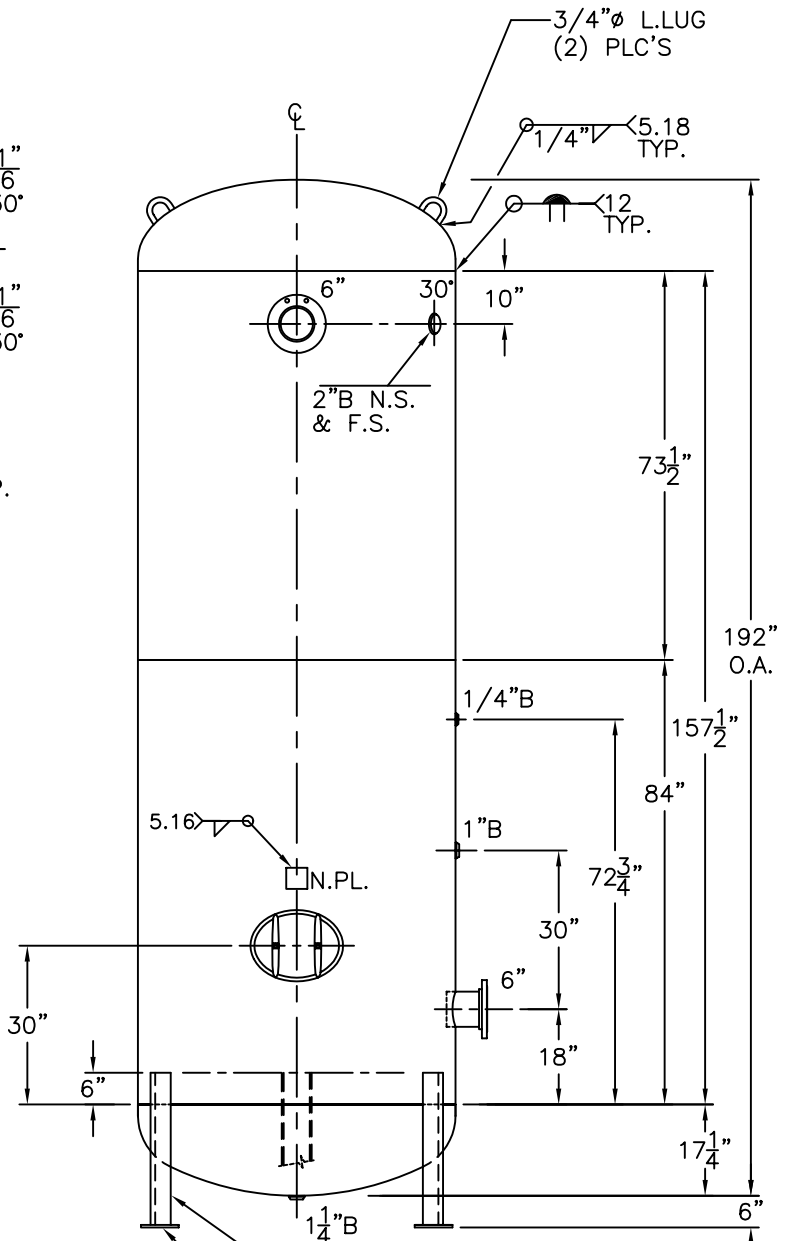


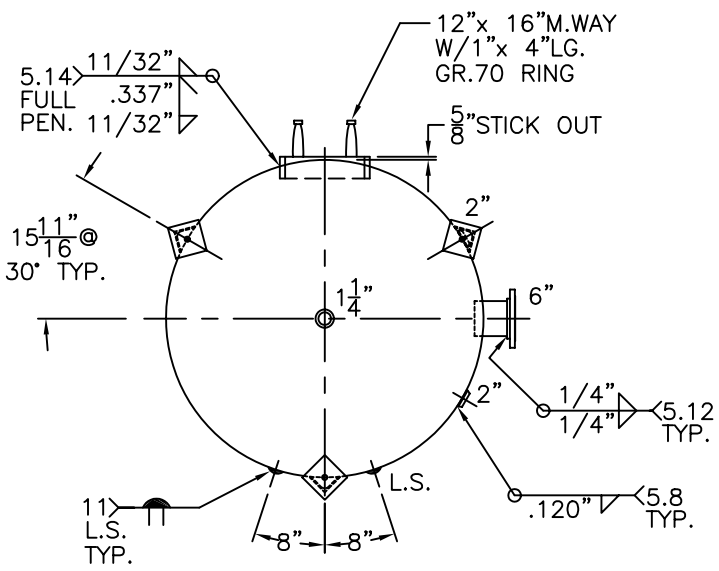
6"-150# R.F.S.O.
 FLG. W/SCH 80
 PIPE x 7 5/8"LG.
 (2) PLC'S



(3) 4" x 4" x 3/8" THK.
 x 28 3/4" LG. ANGLE LEGS
 (3) 6" x 6" x 1/2" THK.
 PADS W/1" Ø HOLE

NOTE: 1) HYDRO @ 260 PSIG. MIN.

M.A.W.P.	200 PSIG. @ 400 °F
M.D.M.T.	-20 °F @ 200 PSIG.
ASME SECTION VIII	DIV. 1, 2001 ADD 2002
X-RAY	RT-4 SPOT L.S. & HDS. G.S.
GALLONS	2180 WT. 3959 LBS.
SERIAL NO.	N.B.
SHELL / HEADS	
	.337" SA-455
	.3125" SA-516-70 2:1 S.E. (.2973" MIN.)



60-VA-2180-L	REV. 12-6-02
FOR: HANSON STANDARD	DATE: 9-3-87
VERT. AIR TANK	
INSIDE: UNPAINTED	
OUTSIDE: PRIME	
CAD "B" SIZE UNDER "STD"-SERIES	
BY: J.G.	SCALE: 1/2" = 12"
ROY E. HANSON JR. MFG.	
1924 COMPTON AVE.	
LOS ANGELES, CA 90011	