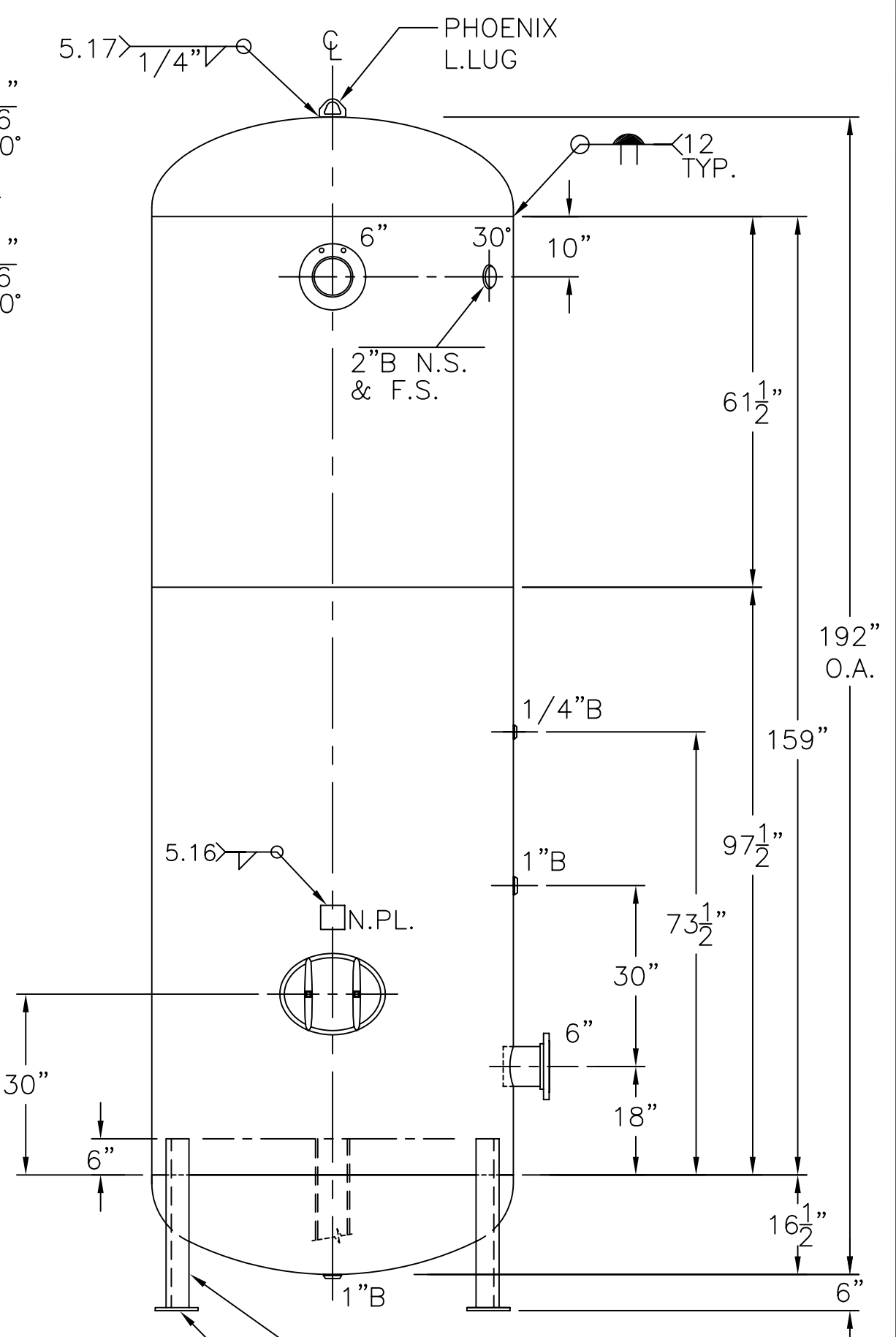


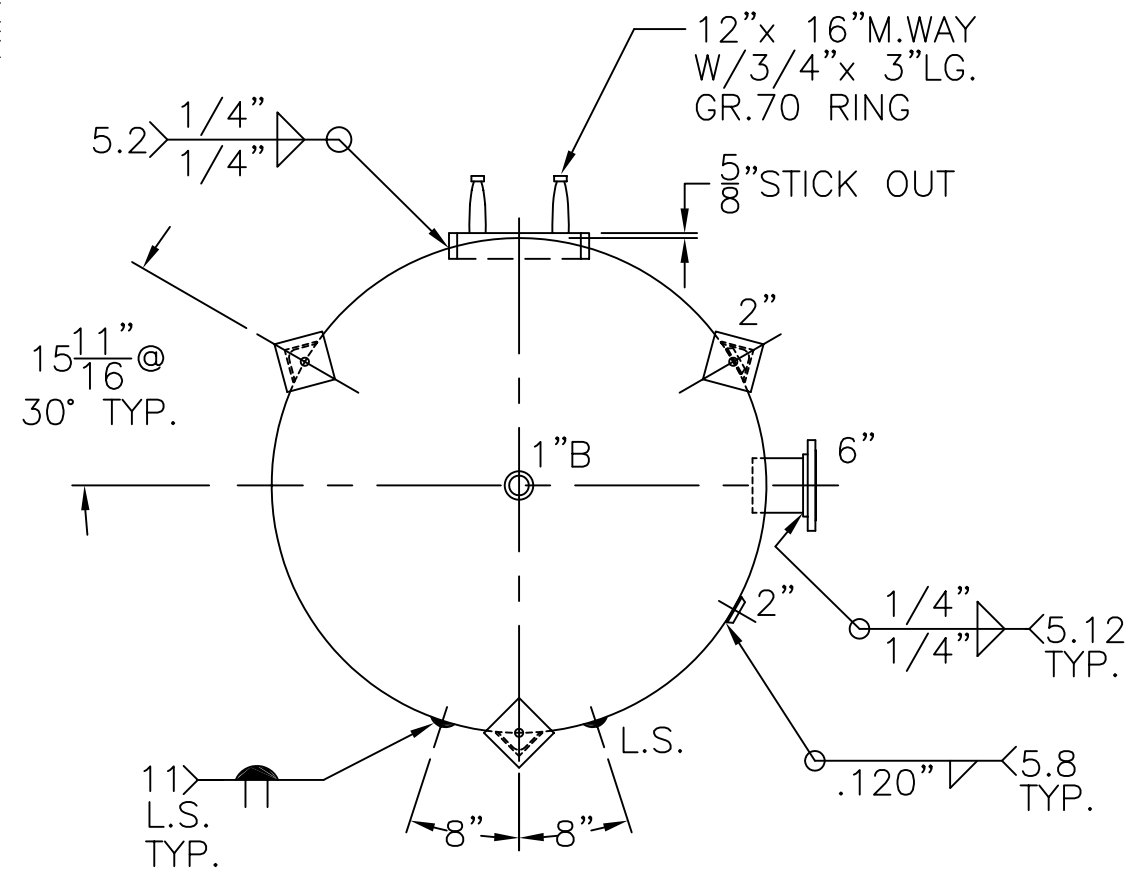
6"-150# R.F.S.O.
 FLG. W/SCH 80
 PIPE x 7 5/8"LG.
 (2) PLC'S



(3) 4" x 4" x 3/8"THK.
 x 28"LG. ANGLE LEGS
 (3) 6" x 6" x 1/2"THK.
 PADS W/1"Ø HOLE

NOTE: 1) HYDRO @ 163 PSIG. MIN.

SHELL / HEADS	.248" SA-455 2:1 S.E. (.205"MIN.)
TOP - .248" SA-455	
LOWER - .250" SA-455	
M.A.W.P.	125 PSIG. @ 400 °F
M.D.M.T.	-20 °F @ 125 PSIG.
ASME. SECTION VIII	DIV. 1, 2001 ADD 2002
X-RAY: RT-4 SPOT 61 1/2" L.S. ONLY	
GALLONS: 2180	WT. 3018 LBS.
SERIAL NO.	
N.B.	



60-VG-2180-L	REV. 12-6-02
FOR: HANSON STANDARD	DATE: 4-7-00
VERT. AIR TANK	
INSIDE: UNPAINTED	
OUTSIDE: PRIME	
CAD "B" SIZE UNDER "STD"-SERIES	
BY: J.G.	SCALE: 1/2"=12"
ROY E. HANSON JR. MFG.	
1924 COMPTON AVE.	
LOS ANGELES, CA 90011	