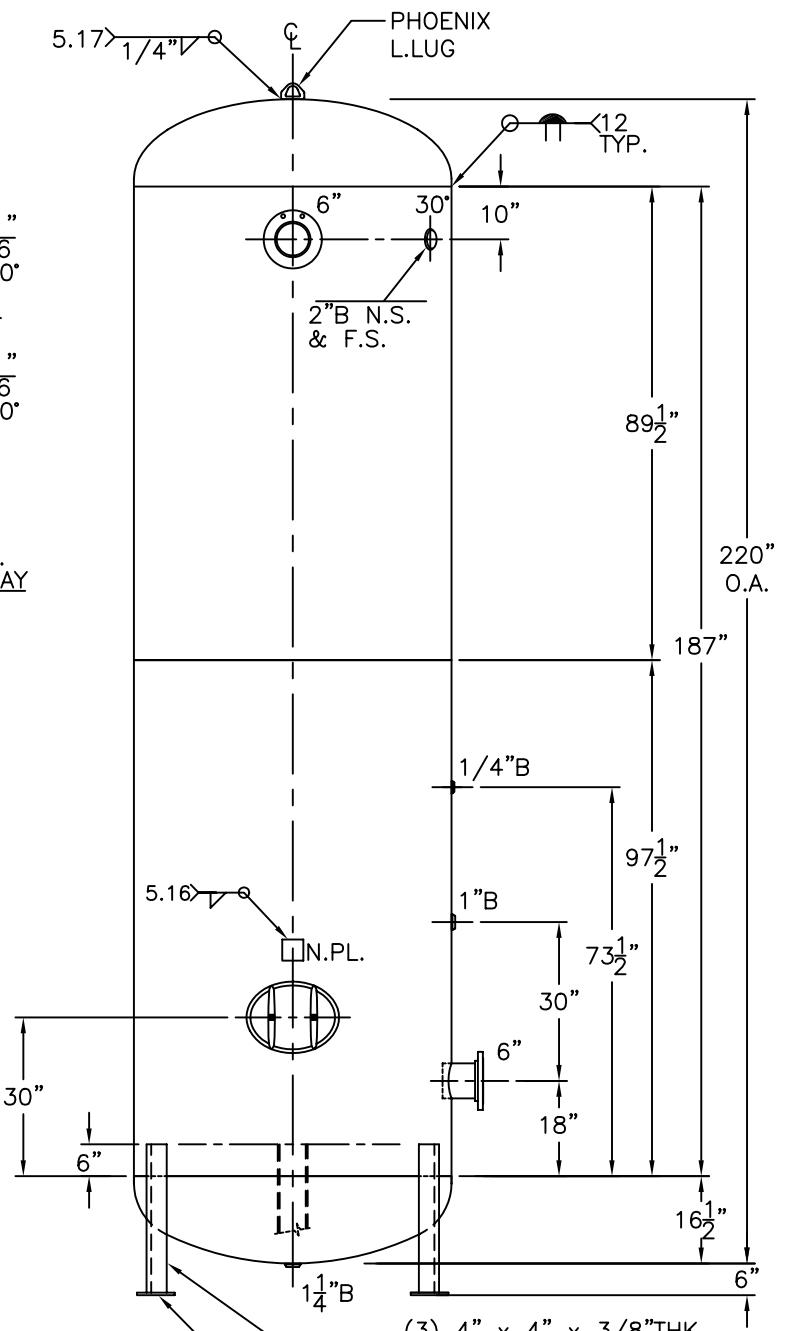


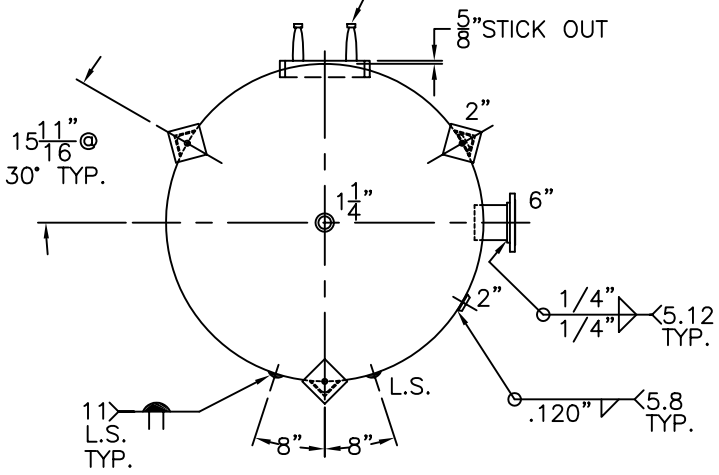
6"-150# R.F.S.O.  
 FLG. W/SCH 80  
 PIPE x 7 5/8"LG.  
 (2) PLC'S



(3) 4" x 4" x 3/8"THK.  
 x 28"LG. ANGLE LEGS

(3) 6" x 6" x 1/2"THK.  
 PADS W/1"Ø HOLE

12" x 16" M.WAY  
 W/3/4" x 3" LG.  
 GR.70 RING



NOTE: 1) HYDRO @ 163 PSIG. MIN.

SHELL / HEADS	.248" SA-455 2:1 S.E. (.205" MIN.)
M.A.W.P.	125 PSIG. @ 400 °F
M.D.M.T.	-20 °F @ 125 PSIG.
ASME SECTION VIII	DIV. 1, 2001 ADD 2002
X-RAY:	RT-NO
GALLONS:	2520 WT. 3435 LBS.
SERIAL NO.	
N.B.	

60-VG-2520-L	REV. 12-6-02
FOR: HANSON STANDARD	DATE: 2-8-92
VERT. AIR TANK	
INSIDE: UNPAINTED	
OUTSIDE: PRIME	
CAD "B" SIZE UNDER "STD"-SERIES	
BY: J.G.	SCALE: 1/2" = 12"
<b>ROY E. HANSON JR. MFG.</b>	
1924 COMPTON AVE.	
LOS ANGELES, CA 90011	