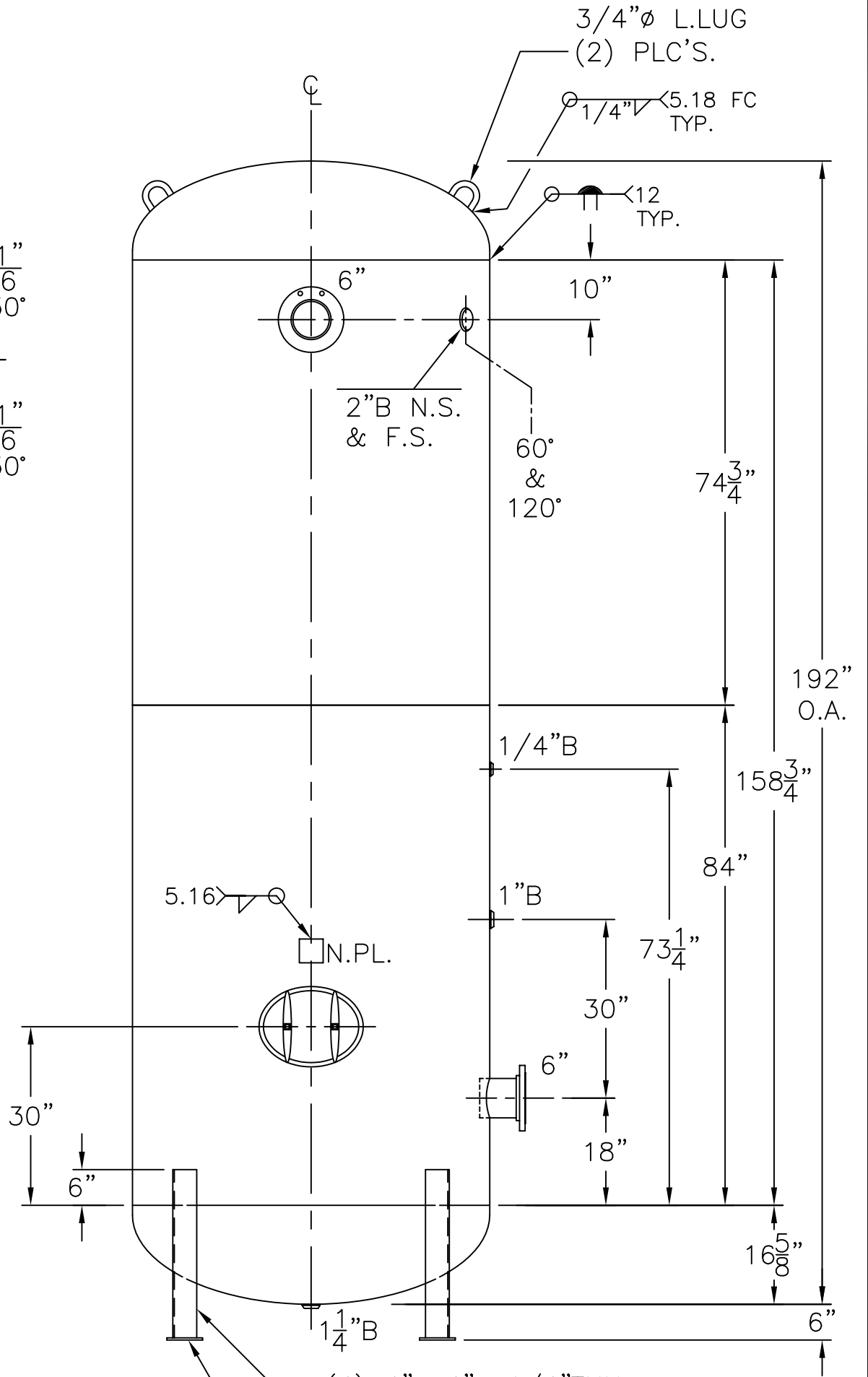


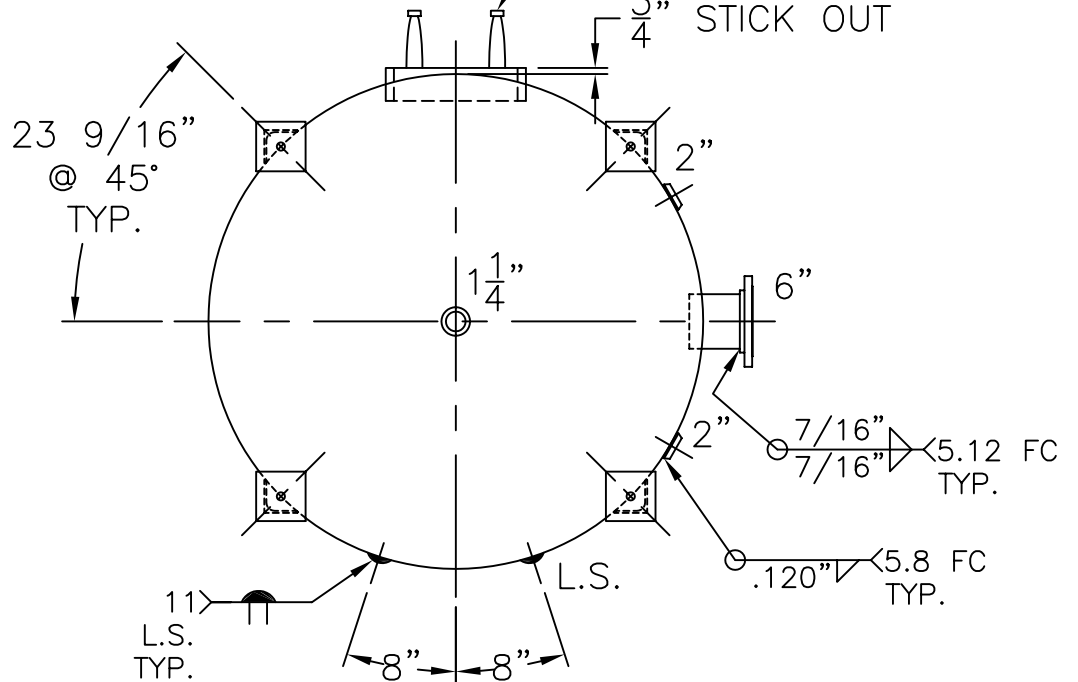
6"-150# R.F.S.O.  
 FLG. W/ SCH. 80  
 SA-106 B  
 PIPE x 7 5/8" LG.  
 (2) PLC'S.



(4) 4"x 4"x 1/4" THK.  
 x 28 1/4" LG. ANGLE LEGS  
 (4) 6"x 6"x 3/8" THK.  
 PAD W/ 1" Ø HOLE  
 FOR 3/4" Ø x 8" LG. BOLTS  
 GRADE 5 OR BETTER  
 6" EMBEDMENT

12"x 16" M. WAY  
 W/ 1"x 4" LG.  
 GR.70 RING

3/4" STICK OUT



NOTE: 1) HYDRO @ 215 PSIG. MIN.

SHELL / HEADS		.248" SA-455 2:1 S.E. (.230" MIN.)	
M.A.W.P. 165 PSIG. @ 400 °F			
M.D.M.T. -20 °F @ 165 PSIG.			
ASME SECTION VIII DIV. 1, 2007 ADD 2009			
X-RAY: RT-4 SPOT L.S. & HDS. G.S.			
GALLONS: 2180	WT. 3570 LBS.		
SERIAL NO.			
N.B.			
60-VM-2180-L		REV. 6-11-10	
FOR: HANSON STANDARD		DATE: 6-30-99	
VERT. AIR TANK			
UW-21(b)			
INSIDE: UNPAINTED			
OUTSIDE: PRIME			
CAD "B" SIZE UNDER "STD"-SERIES			
LEG-ZONE 4-15 KM.			
BY: E.S.	SCALE: 1/2" = 12"		
<b>ROY E. HANSON JR. MFG.</b>			
1600 E. WASHINGTON BLVD. LOS ANGELES, CA 90021			