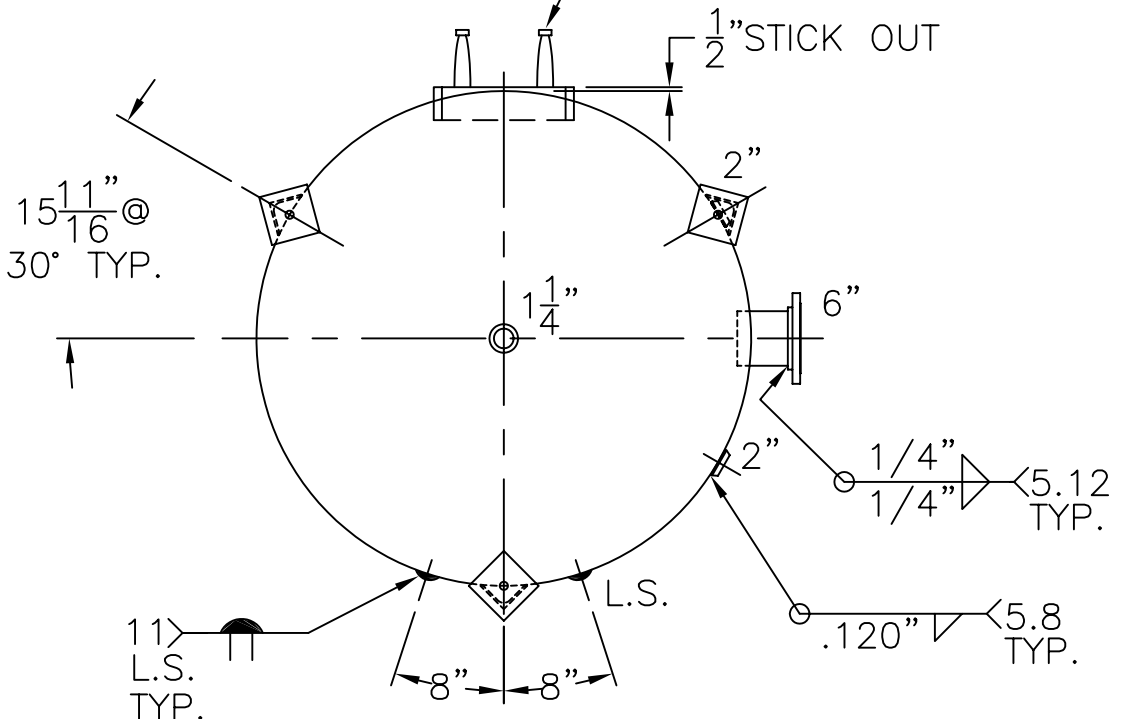


(3) 4" x 4" x 3/8" THK. x 28 13/16" LG. ANGLE LEGS

(3) 6" x 6" x 1/2" THK. PADS W/1"  $\phi$  HOLE

12" x 16" M.WAY W/1" x 4" LG. GR.70 RING

1/2" STICK OUT



NOTE: 1) HYDRO @ 215 PSIG. MIN.

SHELL / HEADS		.270" SA-455 2:1 S.E. (.230" MIN.)	
.288" SA-455			
M.A.W.P.	165 PSIG. @ 400 °F		
M.D.M.T.	-20 °F @ 165 PSIG.		
ASME SECTION VIII	DIV. 1, 2001 ADD 2002		
X-RAY: RT-4 SPOT L.S. & HDS. G.S.			
GALLONS: 2520	WT. 3925 LBS.		
SERIAL NO.			
N.B.			
INSIDE: UNPAINTED		60-VM-2520-L	
OUTSIDE: PRIME		REV. 11-4-03	
CAD "B" SIZE UNDER "STD"-SERIES		DATE: 6-21-99	
BY: E.S. SCALE: 1/2" = 12"		FOR: HANSON STANDARD	
ROY E. HANSON JR. MFG.		VERT. AIR TANK	
1924 COMPTON AVE.			
LOS ANGELES, CA 90011			