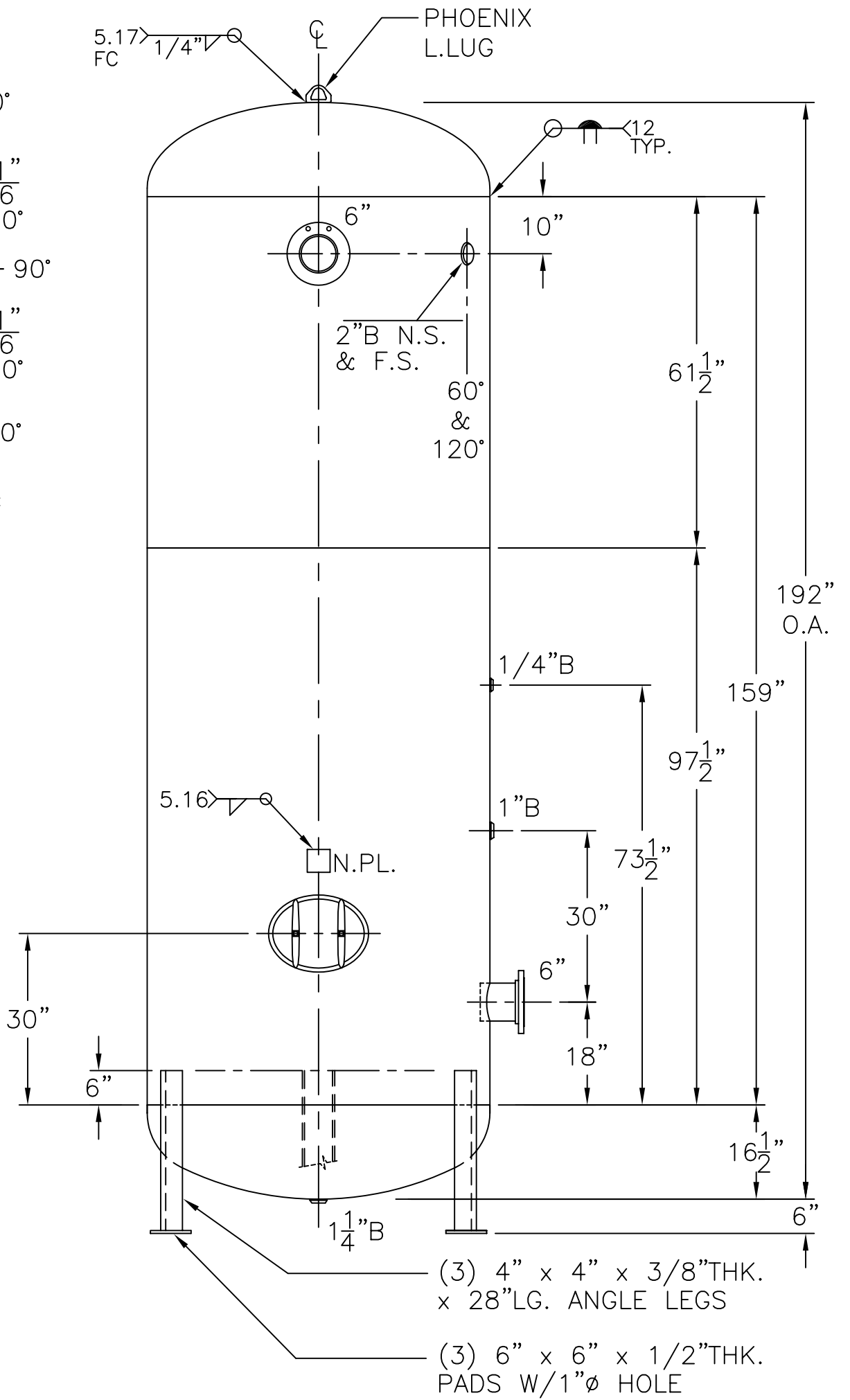
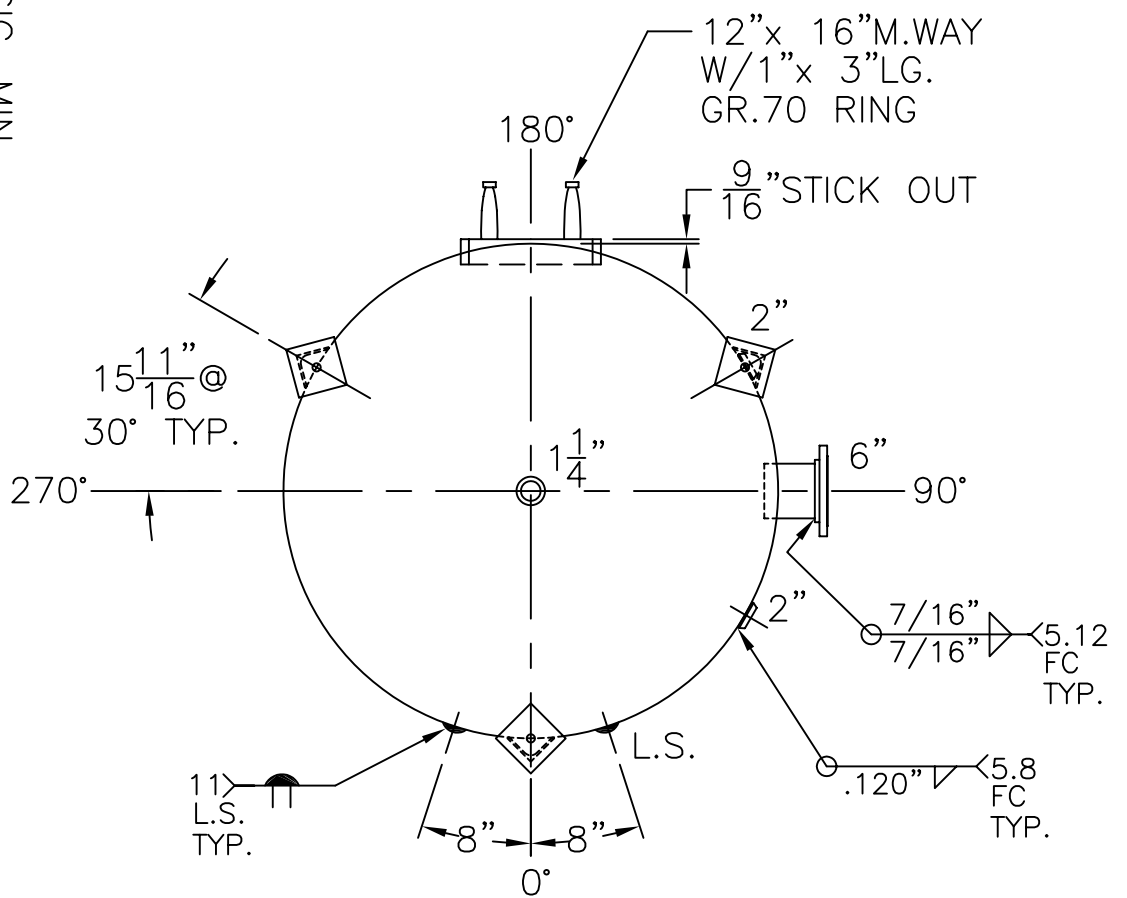


6"-150# R.F.S.O.
 FLG. W/SCH 80
 SA-106-B
 PIPE x 7 5/8" LG.
 (2) PLC'S



(3) 4" x 4" x 3/8" THK.
 x 28" LG. ANGLE LEGS
 (3) 6" x 6" x 1/2" THK.
 PADS W/1" Ø HOLE

NOTE: 1) HYDRO @ 179 PSIG. MIN.



SHELL / HEADS		.248" SA-455 2:1 S.E. (.225" MIN.)	
M.A.W.P.	137 PSIG. @ 400 °F	60-VQ-2180-L	
M.D.M.T.	-20 °F @ 137 PSIG.	FOR: HANSON STANDARD	REV. 4-15-11
ASME SECTION VIII	DIV. 1, 2010 ADD 2010	VERT. AIR TANK	DATE: 5-27-99
X-RAY: RT-4 SPOT L.S.		SURFACE AREA = 265.6 SQ. FT.	
GALLONS: 2180	WT. 3028 LBS.	INSIDE: UNPAINTED	
SERIAL NO.		OUTSIDE: PRIME	
N.B.		CAD "B" SIZE UNDER "STD"-SERIES	
		BY: J.G.	
		SCALE: 1/2" = 12"	
		ROY E. HANSON JR. MFG.	
		1600 E. WASHINGTON BLVD.	
		LOS ANGELES, CA 90021	