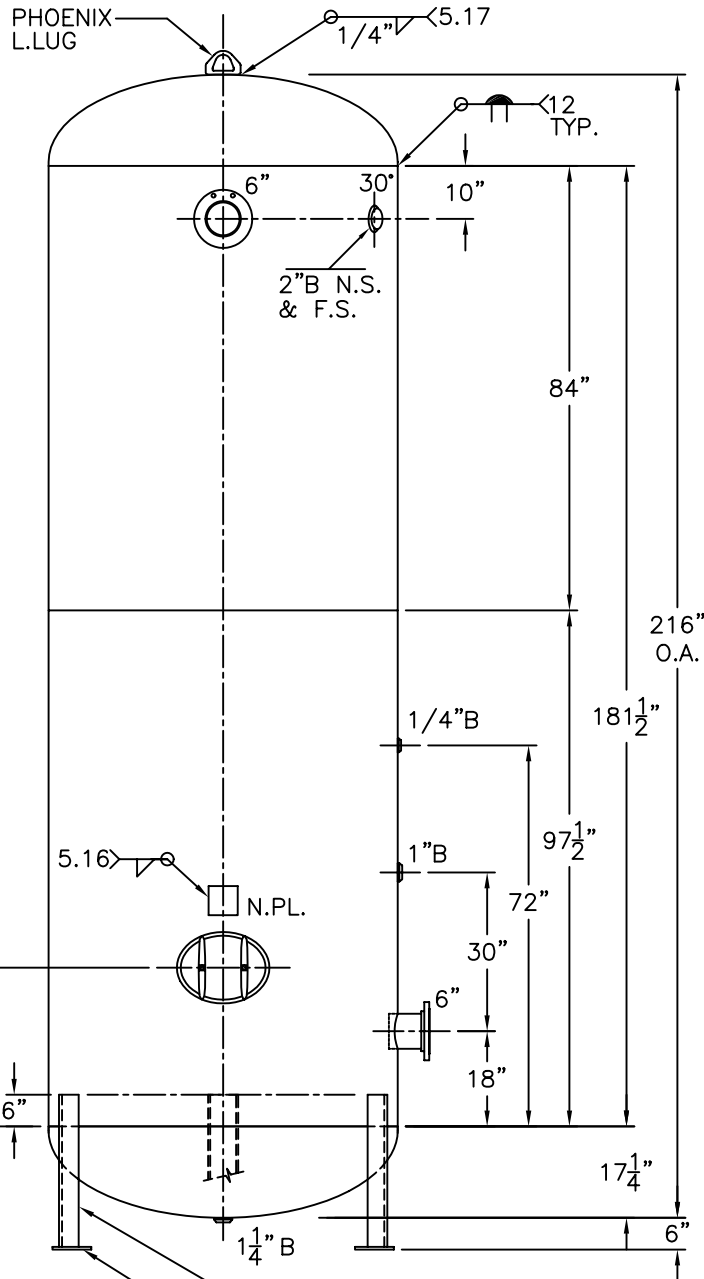


6" - 150# R.F.S.O.
 FLG. W/SCH 80
 PIPE x 7 5/8" LG.
 (2) PLC'S



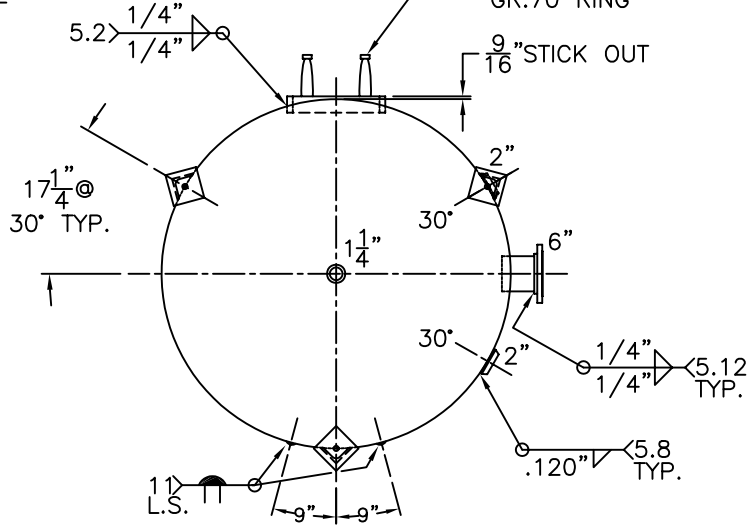
PHOENIX L.LUG
 1/4" < 5.17
 12" TYP.
 6" 30" 10"
 2" B N.S. & F.S.
 84"
 216" O.A.
 181 1/2"
 1/4" B
 1" B
 97 1/2"
 72"
 30"
 6"
 18"
 17 1/4"
 6"
 1 1/4" B
 30"
 6"
 5.16
 N.P.L.

(3) 4" x 4" x 3/8" THK.
 x 28 3/4" LG. ANGLE LEGS

(3) 6" x 6" x 1/2" THK.
 PAD W/1" Ø HOLE

12" x 16" M.WAY
 W/1" x 3" LG.
 GR.70 RING

9/16" STICK OUT



5.2
 1/4" 1/4"

17 1/4" @ 30° TYP.

1/4"

30° 2" 6" 30° 2" 1/4" 1/4" 5.12 TYP.

11" L.S. 9" 9" .120" 5.8 TYP.

NOTE: 1) HYDRO @ 163 PSIG. MIN.

SHELL / HEADS	
.250" SA-455 2:1 S.E. (.192" MIN.)	
M.A.W.P. 125 PSIG. @ 400 °F	
M.D.M.T. -20 °F 125 PSIG.	
ASME SECTION VIII DIV. 1, 2001 ADD 2002	
X-RAY: RT-4 SPOT L.S. & SPOT HDS. G.S.	
GALLONS: 3000	WT. 3755 LBS.
SERIAL NO.	
N.B.	

66-VG-3000-L	REDR: 12-6-02
FOR: HANSON STANDARD	DATE: 10-4-91
VERT. AIR TANK	
INSIDE: UNPAINTED	
OUTSIDE: PRIME	
CAD "B" SIZE UNDER "STD"-SERIES	
BY: J.G.	SCALE: 1/2" = 12"
ROY E. HANSON JR. MFG.	
1924 COMPTON AVE.	
LOS ANGELES, CA 90011	