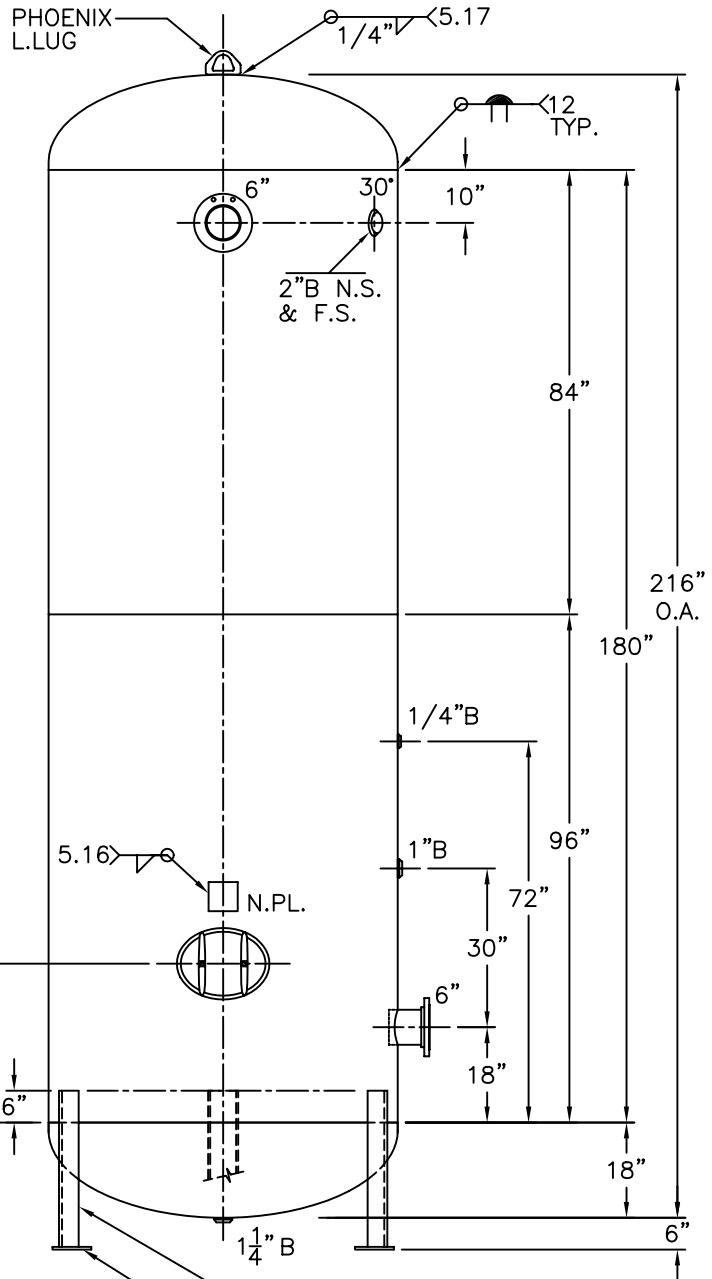


6"-150# R.F.S.O.
 FLG. W/SCH 80
 PIPE x 7 5/8"LG.
 (2) PLC'S



(3) 4"x 4" x 3/8"THK.
 x 29 1/2"LG. ANGLE LEGS

(3) 6"x 6" x 1/2"THK.
 PAD W/1"Ø HOLE

12"x 16" M.WAY
 W/1"x 3"LG.
 GR.70 RING

5/8"STICK OUT

NOTE: 1) HYDRO @ 215 PSIG. MIN.

SHELL / HEADS	
M.A.W.P.	165 PSIG. @ 400 °F
M.D.M.T.	-20 °F 165 PSIG.
ASME SECTION VIII	DIV. 1, 2001 ADD 2002
X-RAY:	RT-4 SPOT L.S. & HDS. G.S.
GALLONS:	3000 WT. 4689 LBS.
SERIAL NO.	
N.B.	

66-VM-3000-L REDR:12-6-02

FOR: HANSON STANDARD DATE: 4-27-81

VERT. AIR TANK

INSIDE: UNPAINTED

OUTSIDE: PRIME

CAD "B" SIZE UNDER "STD"-SERIES

BY: J.G. SCALE: 1/2"=12"

ROY E. HANSON JR. MFG.

1924 COMPTON AVE.
 LOS ANGELES, CA 90011

