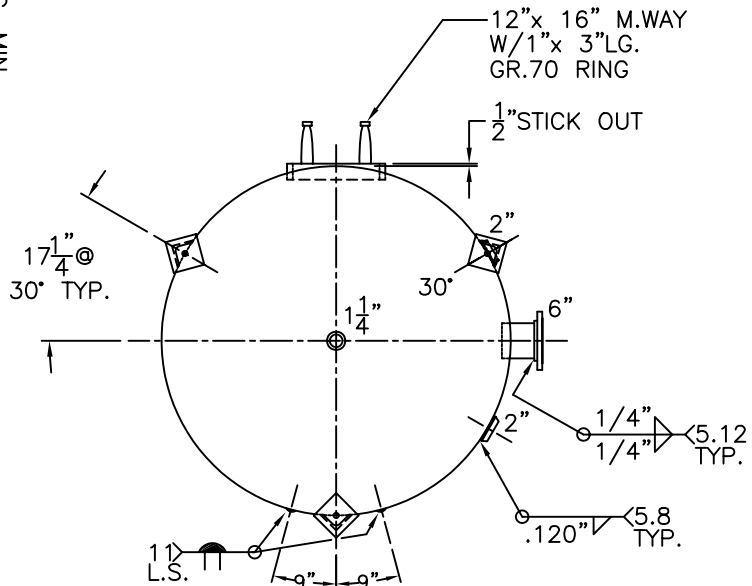


(3) 4"x 4" x 3/8" THK. x 29" LG. ANGLE LEGS

(3) 6"x 6" x 1/2" THK. PAD W/1" Ø HOLE

12" x 16" M.WAY W/1" x 3" LG. GR.70 RING

1/2" STICK OUT



NOTE: 1) HYDRO @ 179 PSIG. MIN.

SHELL / HEADS	
.250" SA-455 2:1 S.E. (.211" MIN.)	
M.A.W.P. 137 PSIG. @ 400 °F	
M.D.M.T. -20 °F	137 PSIG.
ASME SECTION VIII DIV. 1, 2001 ADD 2002	
X-RAY: RT-4 SPOT L.S. & HDS. G.S.	
GALLONS: 3000	WT. 3768 LBS.
SERIAL NO.	
N.B.	

66-VQ-3000-L	REDR: 12-6-02
FOR: HANSON STANDARD	DATE: 3-24-99
VERT. AIR TANK	
INSIDE: UNPAINTED	
OUTSIDE: PRIME	
CAD "B" SIZE UNDER "STD"-SERIES	
BY: J.G.	SCALE: 1/2" = 12"
ROY E. HANSON JR. MFG.	
1924 COMPTON AVE.	
LOS ANGELES, CA 90011	