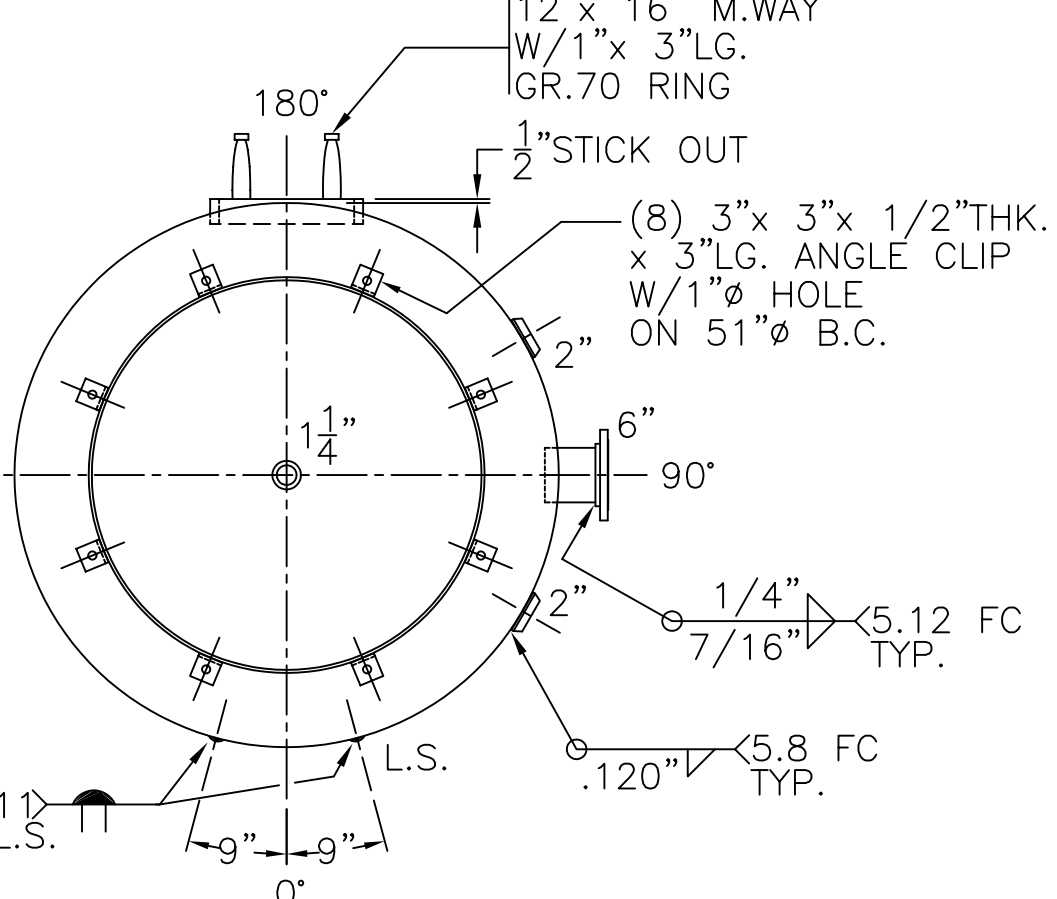
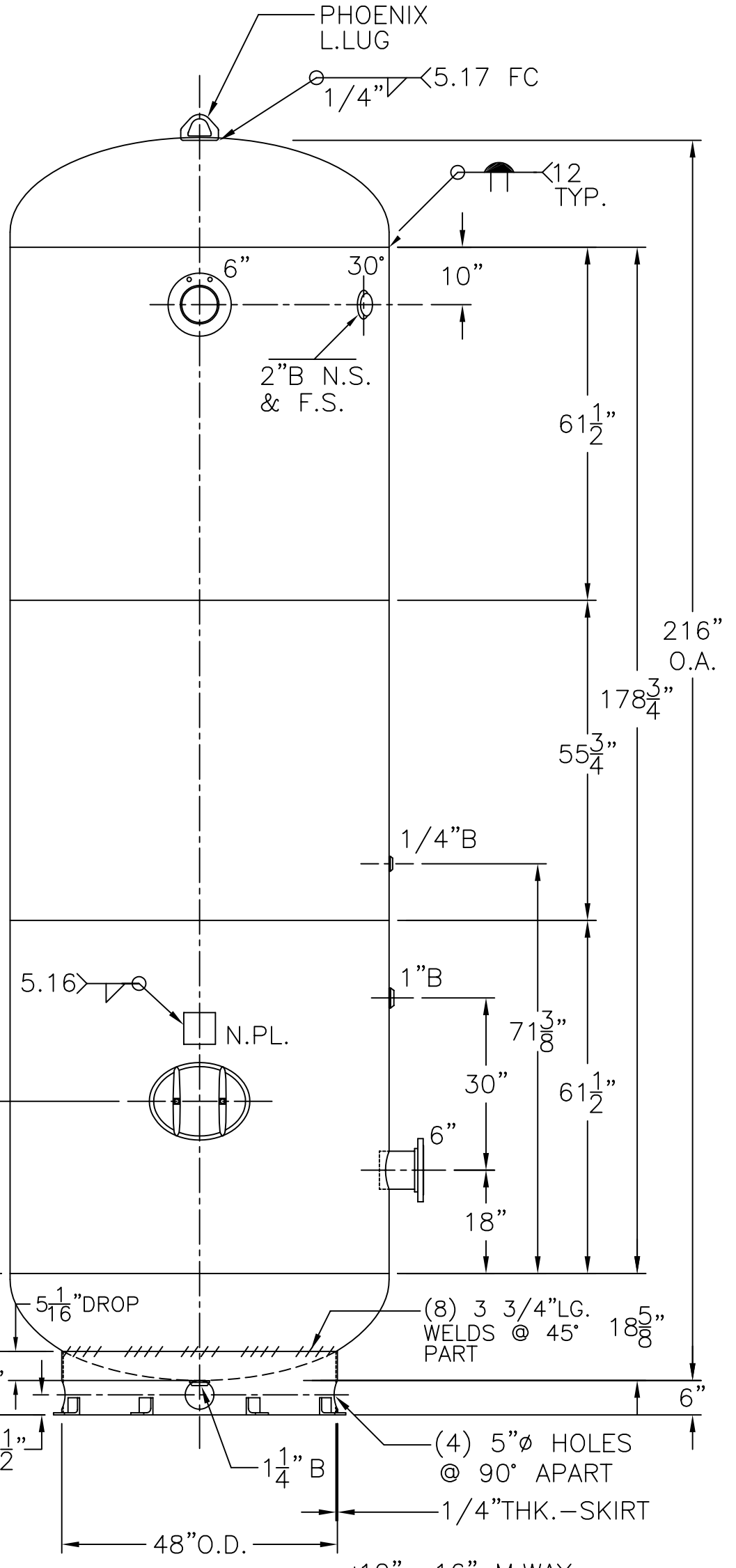


6"-150# R.F.S.O.
 FLG. W/SCH 80
 SA-106-B
 PIPE x 7 5/8" LG.
 (2) PLC'S



NOTE. 1) HYDRO @ 179 PSIG. MIN.

SHELL / HEADS		66-VQ-3000-R	
.250" SA-455 2:1 S.E. (.214" MIN.)		REV: 8-15-11	DATE: 2-18-99
M.A.W.P.	137 PSIG. @ 400 °F	FOR: HANSON STANDARD	
M.D.M.T.	-20 °F	VERT. AIR TANK	
ASME. SECTION VIII	DIV. 1, 2010 ADD 2010	UW-21(b)	
X-RAY: RT-4 SPOT L.S. & HDS. G.S.		INSIDE: UNPAINTED	
GALLONS: 3000	WT. 3791 LBS.	OUTSIDE: PRIME	
SERIAL NO.		CAD "B" SIZE UNDER "STD"-SERIES	
N.B.		BY: J.G.	
		SCALE: 1/2"=12"	
		ROY E. HANSON JR. MFG.	
		1600 E. WASHINGTON BLVD.	
		LOS ANGELES, CA 90021	