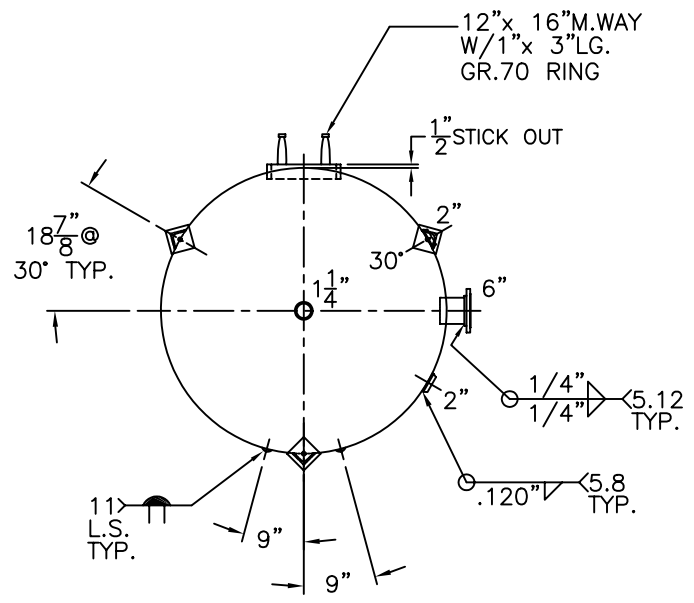


(3) 4" x 4" x 3/8" THK.
x 31 1/4" LG. ANGLE LEGS
(3) 6" x 6" x 1/2" THK.
PAD W/1" Ø HOLE



NOTE: 1) HYDRO @ 163 PSIG. MIN.

SHELL / HEADS		.280" SA-455 2:1 S.E. (.246" MIN.)	
.250" SA-455			
M.A.W.P.	125 PSIG. @ 400 °F		
M.D.M.T.	-20 °F 125 PSIG		
ASME. SECTION VIII	DIV. 1, 2001 ADD 2002		
X-RAY:	RT-4 SPOT L.S.		
GALLONS:	3800	WT. 4412	LBS.
SERIAL NO.			
N.B.			
INSIDE: UNPAINTED		72-VG-3800-L	
OUTSIDE: PRIME		FOR: HANSON STANDARD	
CAD "B"-SIZE UNDER "STD"-SERIES		VERT. AIR TANK	
BY: J.G.		SCALE: 3/8"=12"	
ROY E. HANSON JR. MFG.		REV. 12-6-02	
1924 COMPTON AVE.		DATE: 5-8-97	
LOS ANGELES, CA 90011			