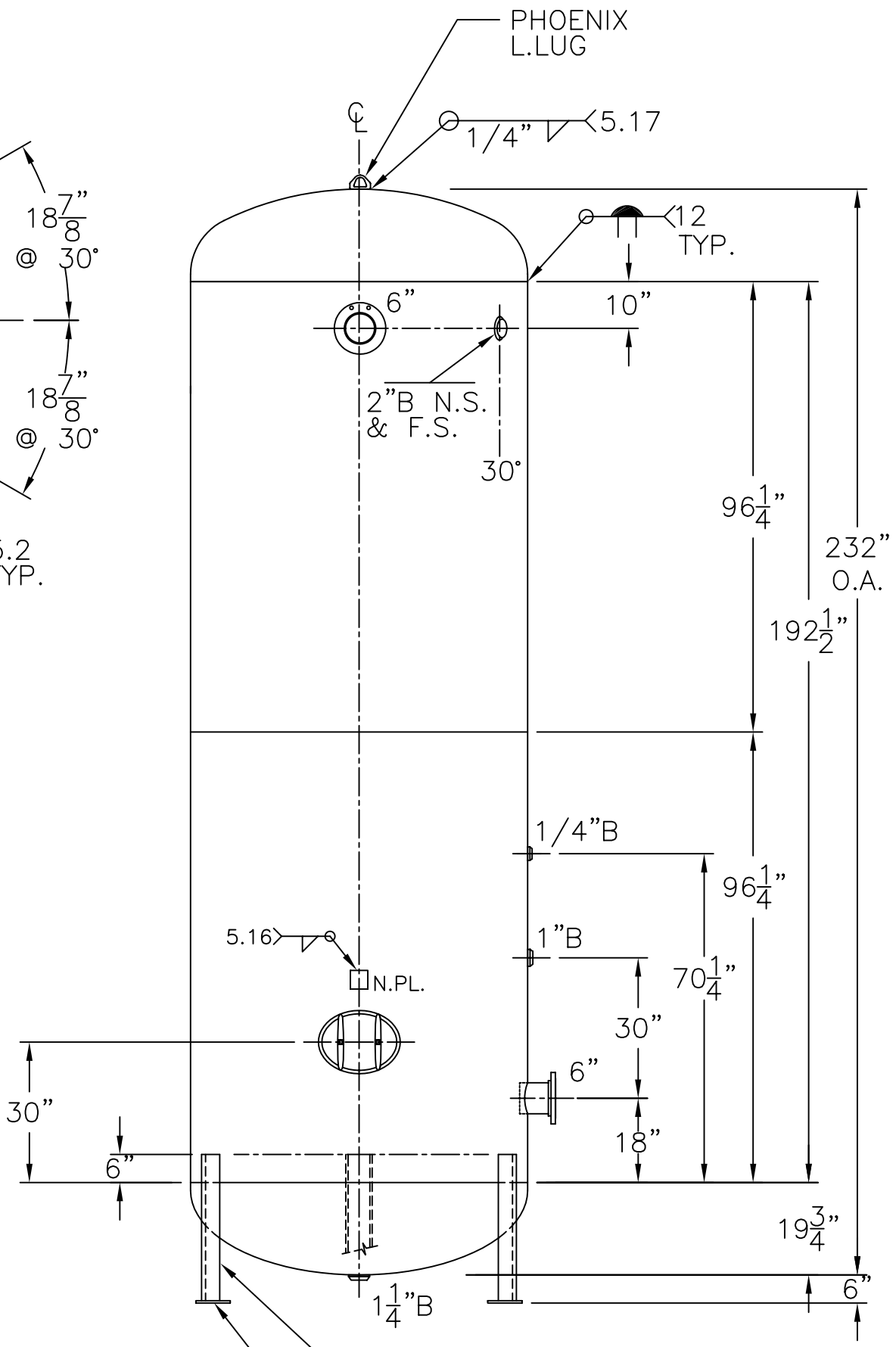
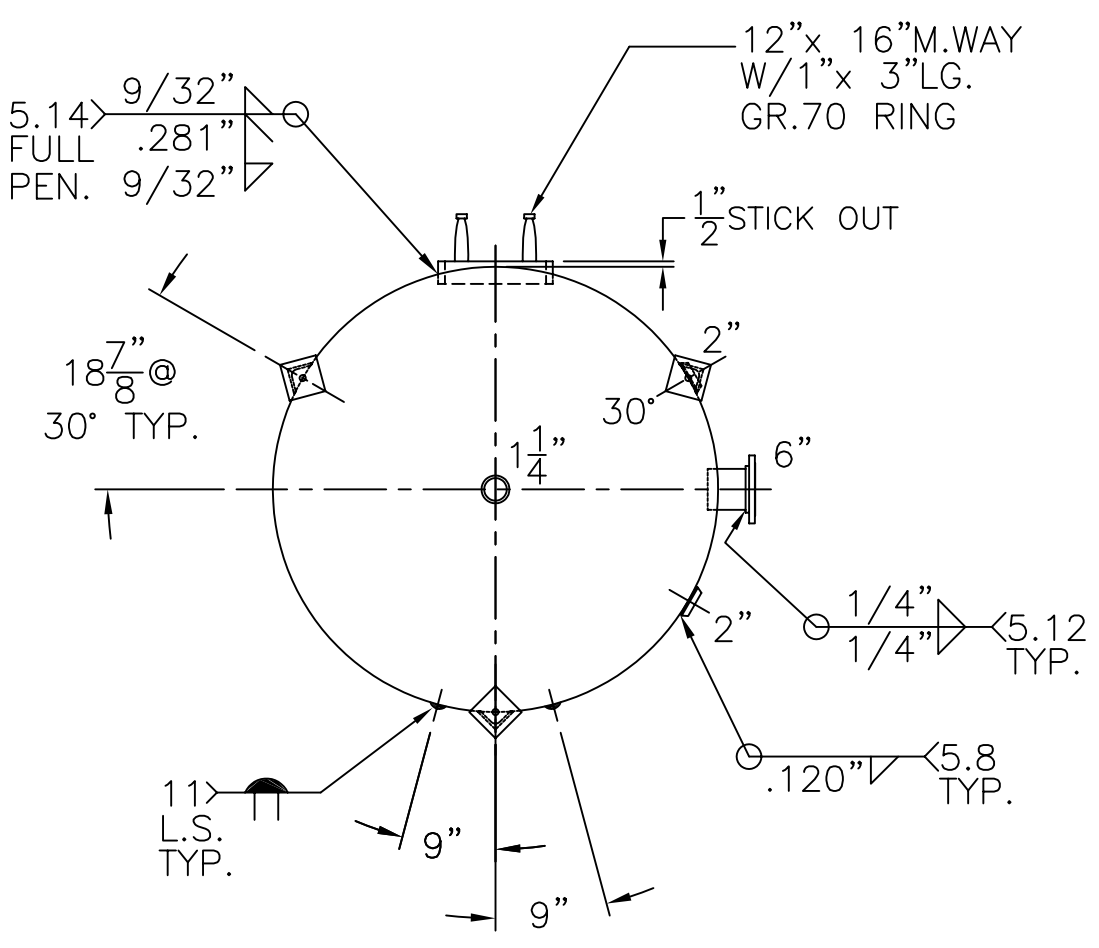


6"-150# R.F.S.O.
 FLG. W/ SCH 80
 PIPE x 7 5/8" LG.
 (2) PLC'S



(3) 4" x 4" x 3/8" THK.
 x 31 1/4" LG. ANGLE LEGS

(3) 6" x 6" x 1/2" THK.
 PAD W/ 1" Ø HOLE



NOTE: 1) HYDRO @ 179 PSIG. MIN.

SHELL / HEADS		M.A.W.P. 137 PSIG. @ 400 °F		INSIDE: UNPAINTED	
.280" SA-455 2:1 S.E. (.230" MIN.)		M.D.M.T. -20 °F 137 PSIG		OUTSIDE: PRIME	
.281" SA-455		ASME SECTION VIII DIV. 1, 2001 ADD 2002		CAD "B"-SIZE UNDER "STD"-SERIES	
GALLONS: 3800 WT. 4817 LBS.		X-RAY: RT-4 SPOT L.S. & HDS. G.S.		BY: J.G. SCALE: 3/8"=12"	
SERIAL NO.		ROY E. HANSON JR. MFG.		1924 COMPTON AVE. LOS ANGELES, CA 90011	
N.B.		72-VQ-3800-L		REV. 12-6-02	
		FOR: HANSON STANDARD		DATE: 12-29-01	
		VERT. AIR TANK			