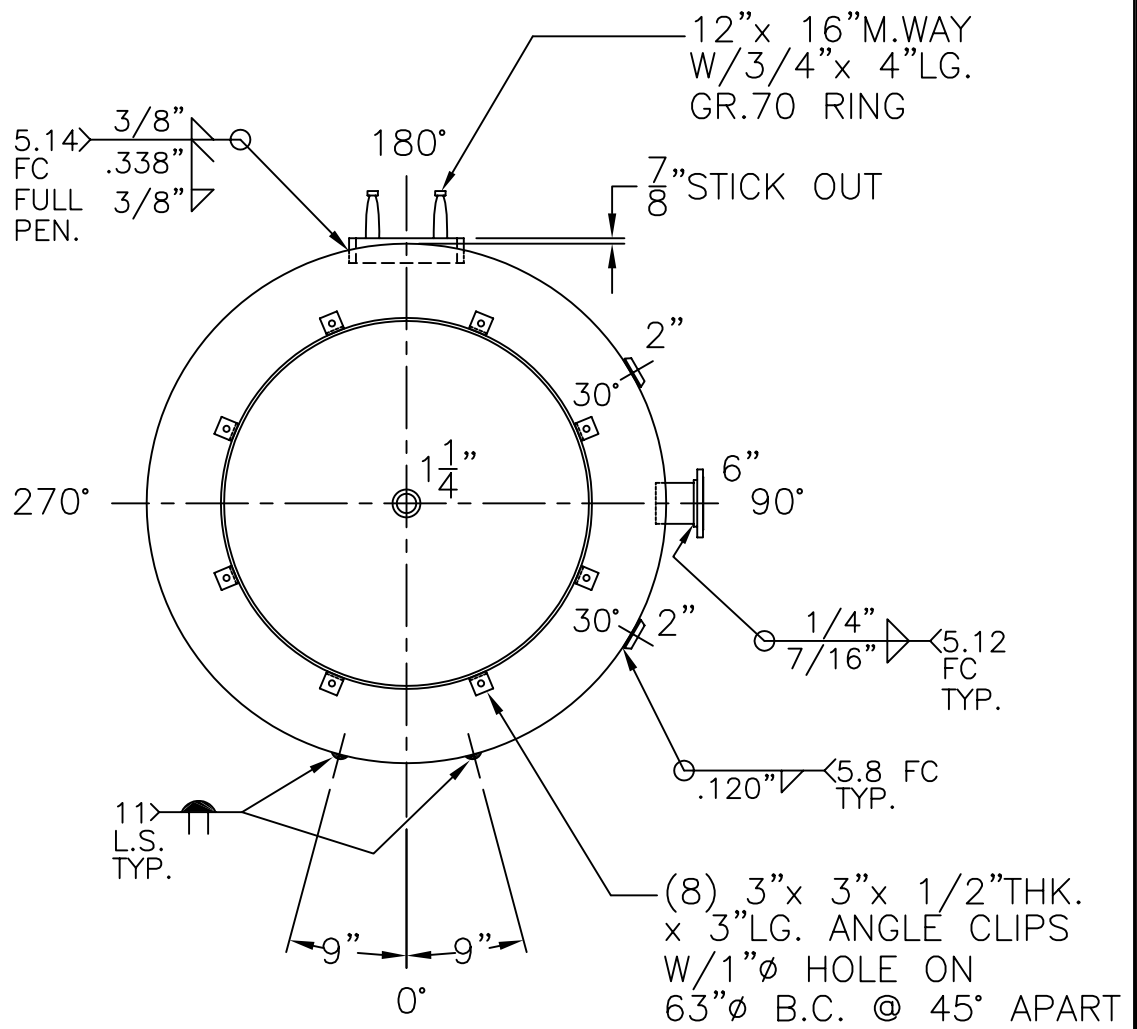
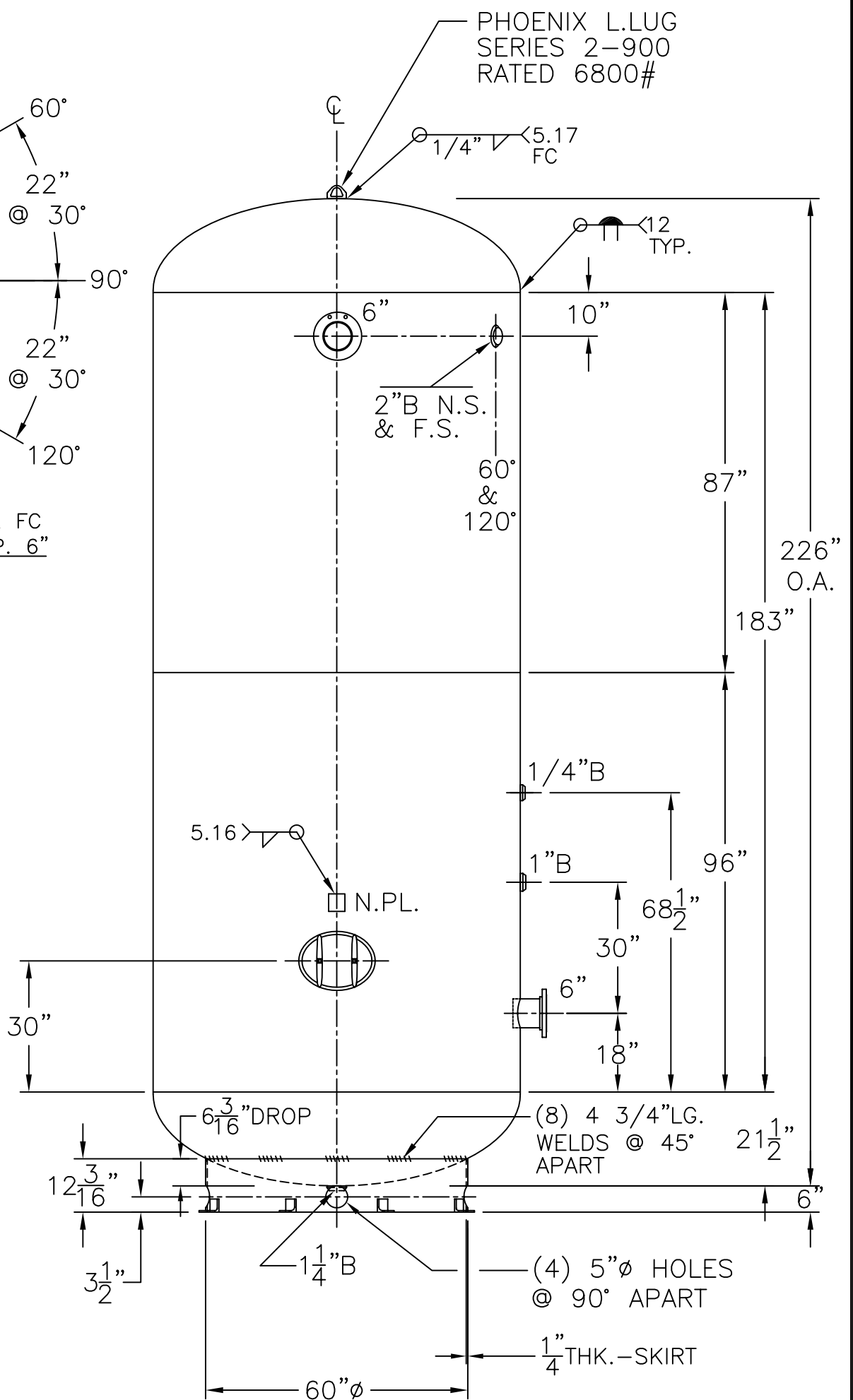


6"-150# R.F.S.O.
 FLG. W/ SCH 80
 SA-106-B
 PIPE x 7 5/8" LG.
 (2) PLC'S



NOTE: 1) HYDRO @ 179 PSIG. MIN.

SHELL / HEADS		M.A.W.P. 137 PSIG. @ 400 °F	
.375" SA-455 2:1 S.E.		M.D.M.T. -20 °F 137 PSIG	
(.274" MIN.)		ASME SECTION VIII DIV. 1, 2010 ADD 2011	
.338" SA-455		X-RAY: RT-4 SPOT L.S. & HEADS G.S.	
		GALLONS: 5000 WT. 7045 LBS.	
		SERIAL NO.	
		N.B.	
FOR: HANSON STANDARD		84-VQ-5000-R	
VERT. AIR TANK		REV. 5-30-12	
SURFACE AREA = 443.1 SQ. FT.		DATE: 1-18-01	
UW-21 (b)			
INSIDE: UNPAINTED			
OUTSIDE: PRIME			
CAD "B" SIZE UNDER "STD"-SERIES			
BY: J.G.		SCALE: 3/8"=12"	
ROY E. HANSON JR. MFG.			
1600 E. WASHINGTON BLVD.			
LOS ANGELES, CA 90021			