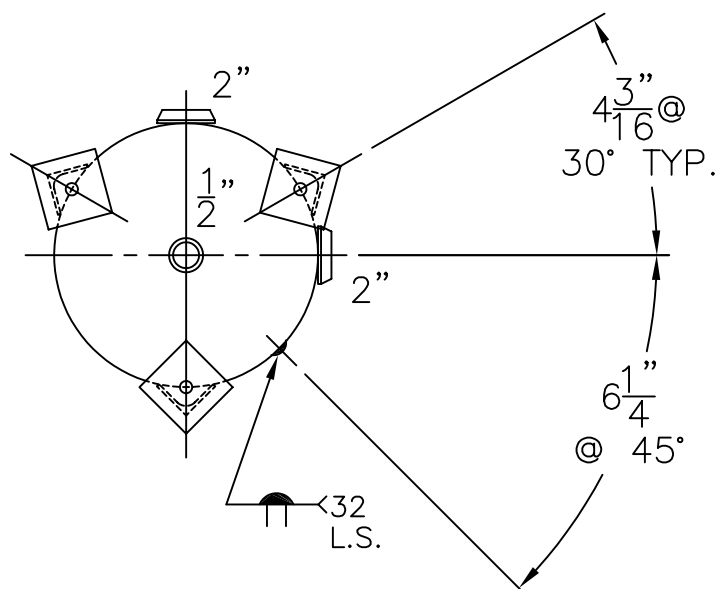


(3) 4"x 4" x 1/4"THK.
304 S.S. PAD W/3/4"Ø HOLE
FOR 1/2"Ø x 8"LG. BOLTS
GRADE 5 OR BETTER
6" EMBEDMENT

(3) 2 1/2"x 2 1/2"x 3/16"THK.
x 13 5/16"LG. ANGLE LEGS
304 S.S.



NOTE: 1) HYDRO @ 325 PSIG. MIN.
2) UHA-51 (e)(2) NO IMPACT TESTING.
2) ALL NPT ARE SA-182-304 S.S.

SHELL / HEADS		.135" SA-240-304 S.S. 2:1 S.E.	
JOGGLE - .129 OFFSET			
.187" SA-240-304 S.S.			
M.A.W.P. 250 PSIG. @ 200 °F			
M.D.M.T. -155 °F @ 250 PSIG.			
ASME SECTION VIII DIV. 1, 2007 ADD 2008			
X-RAY: RT-NO			
GALLONS: 30	WT. 131 LBS.		
SERIAL NO.			
N.B. NO.			
16-VC-30-L		REV. 4-16-09	
304 S.S.		DATE: 12-12-06	
FOR: HANSON STANDARD			
VERT. AIR TANK			
SURFACE AREA = 14.8 SQ. FT.			
INSIDE: UNPAINTED			
OUTSIDE: BEAD BLAST			
CAD-"B" SIZED UNDER "STD"-SERIES			
BY: J.G.		SCALE: 1"=12"	
ROY E. HANSON JR. MFG.			
1600 E. WASHINGTON BLVD.			
LOS ANGELES, CA 90021			