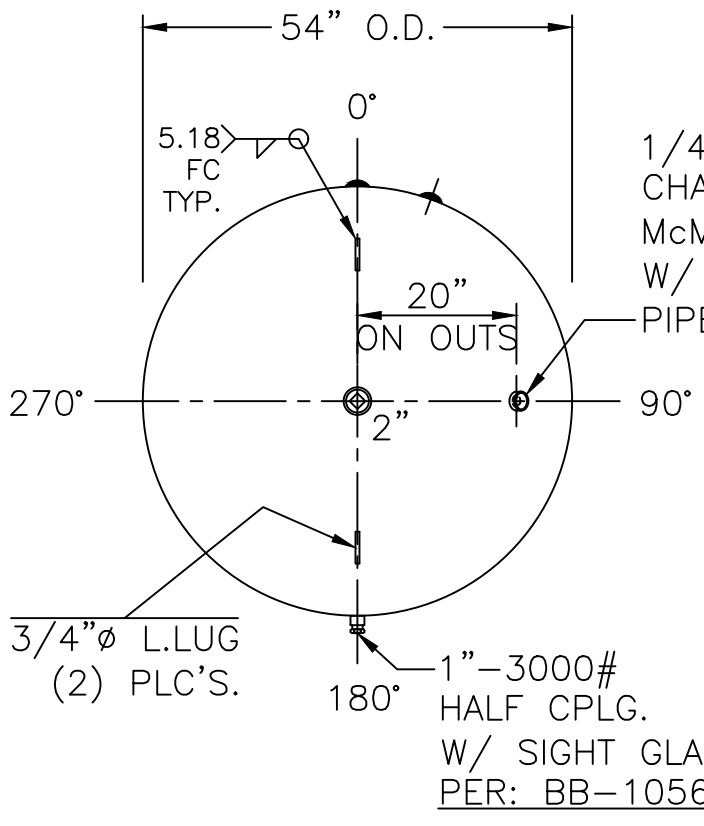
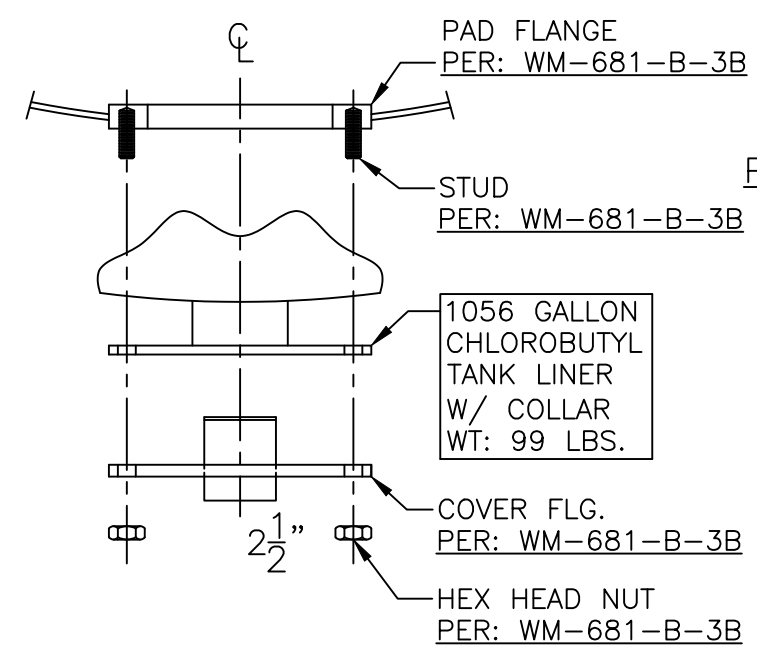


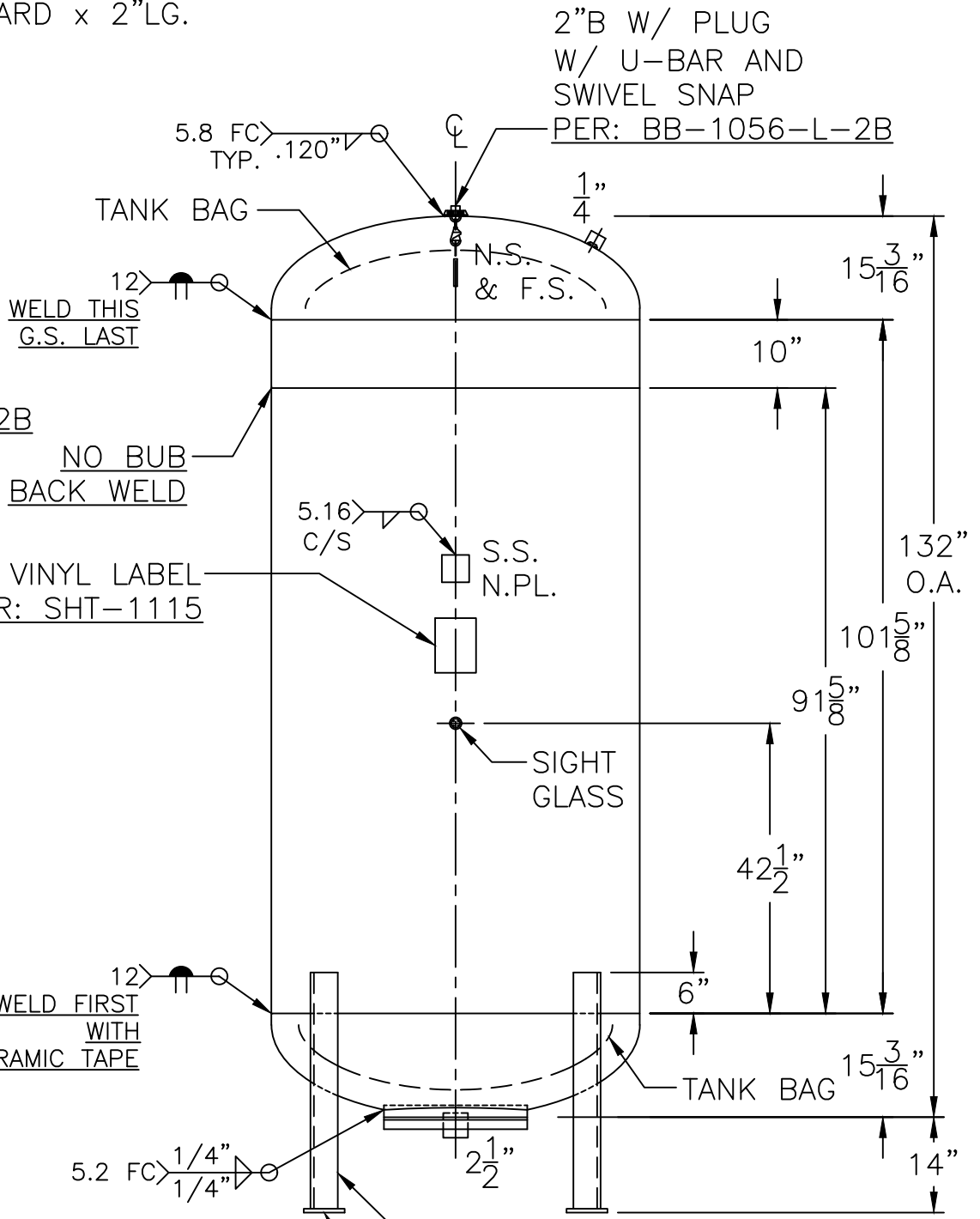
DATE	BY
6-7-12	OL



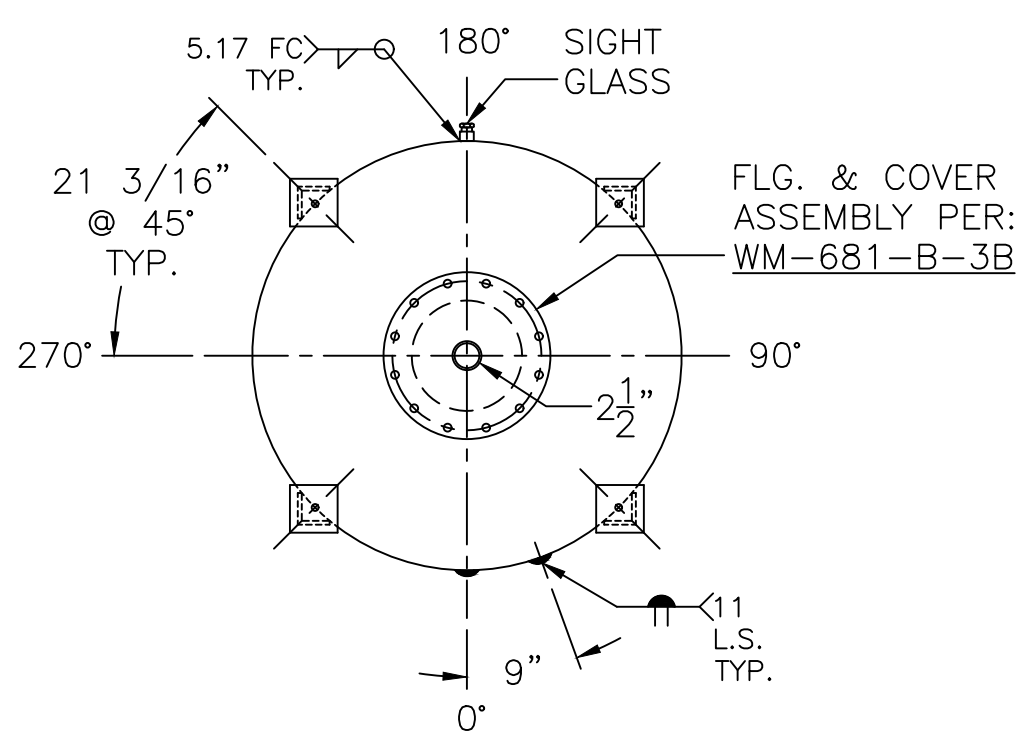
1/4" B W/ BRASS CHARGING VALVE, McMASTER #8063K37 W/ 2" SCH. 40 PIPE GUARD x 2" LG.



COVER ASSEMBLY DTL.



(4) 4" x 4" x 1/2" THK. x 34 5/8" LG. ANGLE LEGS
 (4) 6" x 6" x 9/16" THK. PAD W/ 1" Ø HOLE



FLG. & COVER ASSEMBLY PER: WM-681-B-3B

NOTE: 1) HYDRO @ 163 PSIG. MIN.
 2) INSPECTION OPENING, UG 46(f)(6).

SHELL / HEADS		.250" SA-455 2:1 S.E.	
TOP-JOGGLE			
BTM-TRIM			
.218" SA-455			
M.A.W.P.	125 PSIG. @ 240 °F	BB-1056-L	
M.D.M.T.	32 °F @ 125 PSIG.	REV.	1-4-16
ASME SECTION VIII	DIV. 1, 2015	DATE:	6-6-12
X-RAY:	RT-4 SPOT L.S. ONLY	FOR: HANSON STANDARD	
GALLONS:	1056 WT. 2200 LBS.	VERT. BLADDER TANK	
SERIAL NO.		SURFACE AREA = 167.6 SQ. FT.	
N.B.		INSIDE: UNPAINTED	
		OUTSIDE: PRIME	
		LEG-ZONE 4-15 KM.	
		BY: E.S. / STEVE SCALE: 1/2" = 12"	
		ROY F. HANSON JR. MFG.	
		LOS ANGELES, CA 90021	