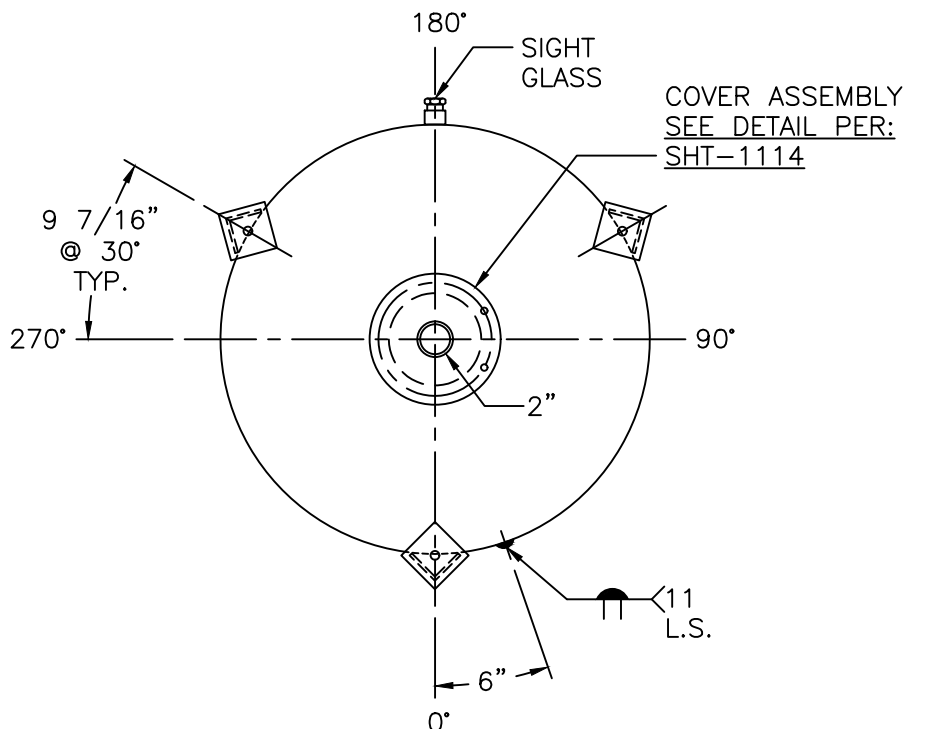
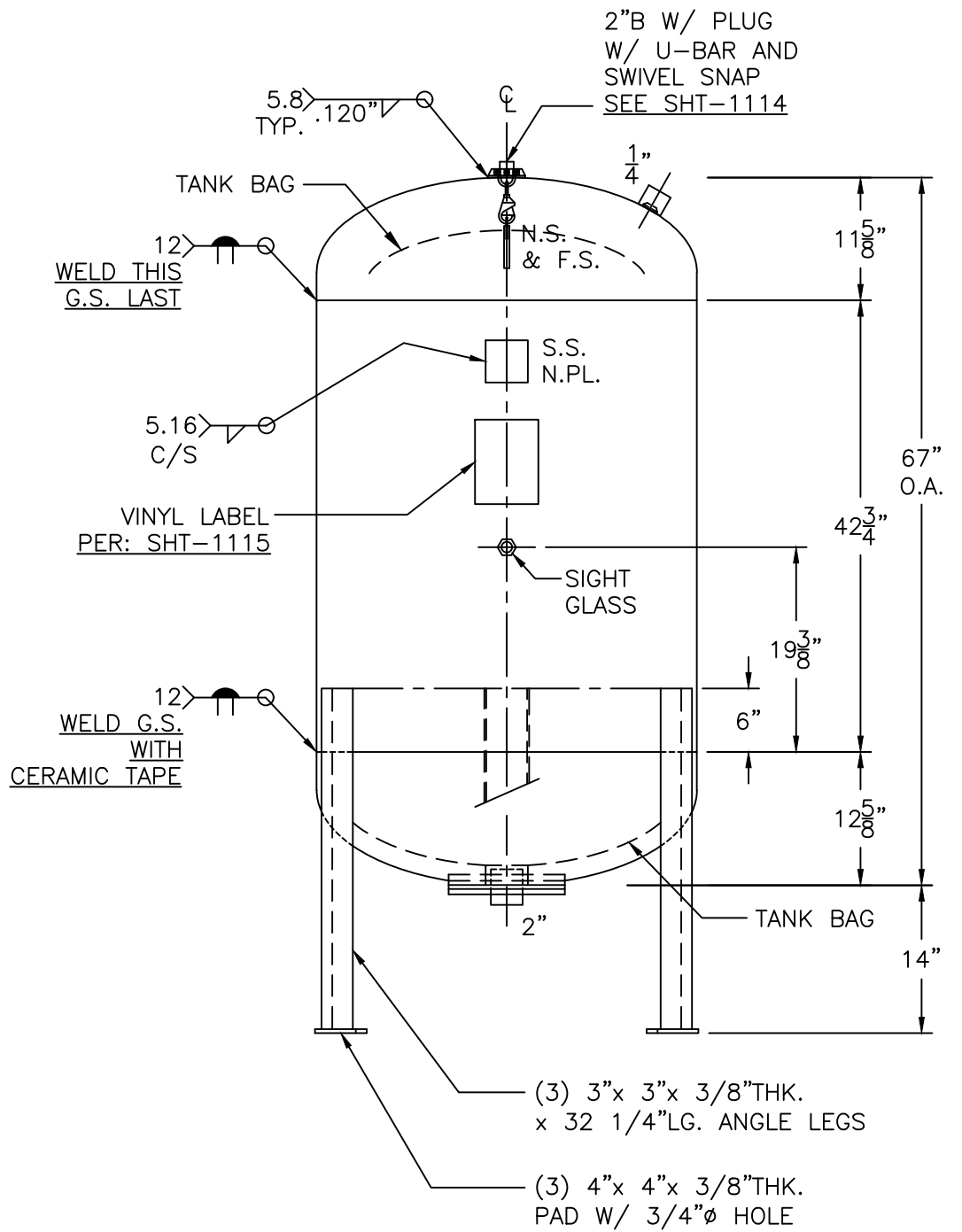


COVER ASSEMBLY DTL.



NOTE: 1) HYDRO @ 165 PSIG. MIN.		2) INSPECTION OPENING, UG 46(f)(6).	
SHELL / HEADS			
TOP-.182"	SA-455	2:1	S.E.
JOGGLE			
BTM-.182"	SA-455	2:1	S.E.
TRIM			
.164"	SA-414-G		
M.A.W.P.	125	PSIG.	@ 240 °F
M.D.M.T.	32	°F	@ 125 PSIG.
ASME SECTION	VIII	DIV. 1,	2015
X-RAY:	RT-NO		
GALLONS:	264	WT.	565 LBS.
SERIAL NO.			
N.B.			
BB-264-L		REV.	1-5-16
FOR: HANSON STANDARD		DATE:	4-1-05
VERT. BLADDER TANK			
SURFACE AREA = 58.0 SQ. FT.			
INSIDE: UNPAINTED			
OUTSIDE: PRIMER			
LEG-ZONE 4-15 KM.			
BY: E.S.		SCALE:	3/4"=12"
ROY F. HANSON JR. MFG.			
LOS ANGELES, CA 90021			