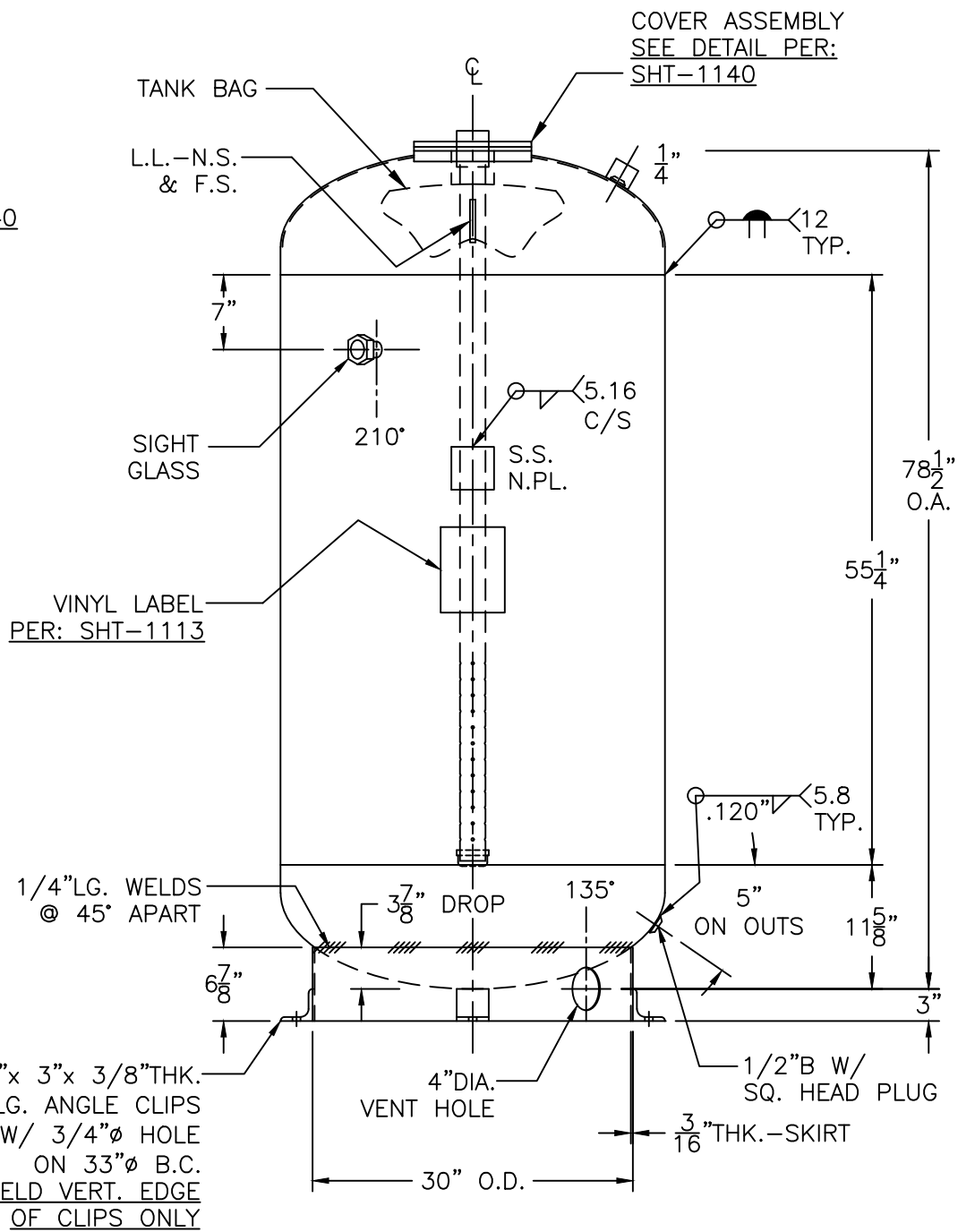


COVER ASSEMBLY DTL.



NOTE: 1) HYDRO @ 165 PSIG. MIN.
2) INSPECTION OPENING, UG 46(f)(6).

SHELL / HEADS	
JOGGLE	.189" SA-414-G 2:1 S.E.
M.A.W.P.	125 PSIG. @ 240 °F.
M.D.M.T.	32 °F @ 125 PSIG.
ASME SECTION VIII	DIV. 1, 2015
X-RAY:	RT-NO
GALLONS:	317 WT. 637 LBS.
SERIAL NO.	
N.B.	
TB-317-R	
FOR: HANSON STANDARD	REV. 5-16-16
VERT. BLADDER TANK	DATE: 4-1-05
SURFACE AREA = 64.8 SQ. FT.	
INSIDE: UNPAINTED	
OUTSIDE: PRIMER	
BY: E.S.	SCALE: 3/4"=12"
ROY F. HANSON JR. MFG.	
LOS ANGELES, CA 90021	