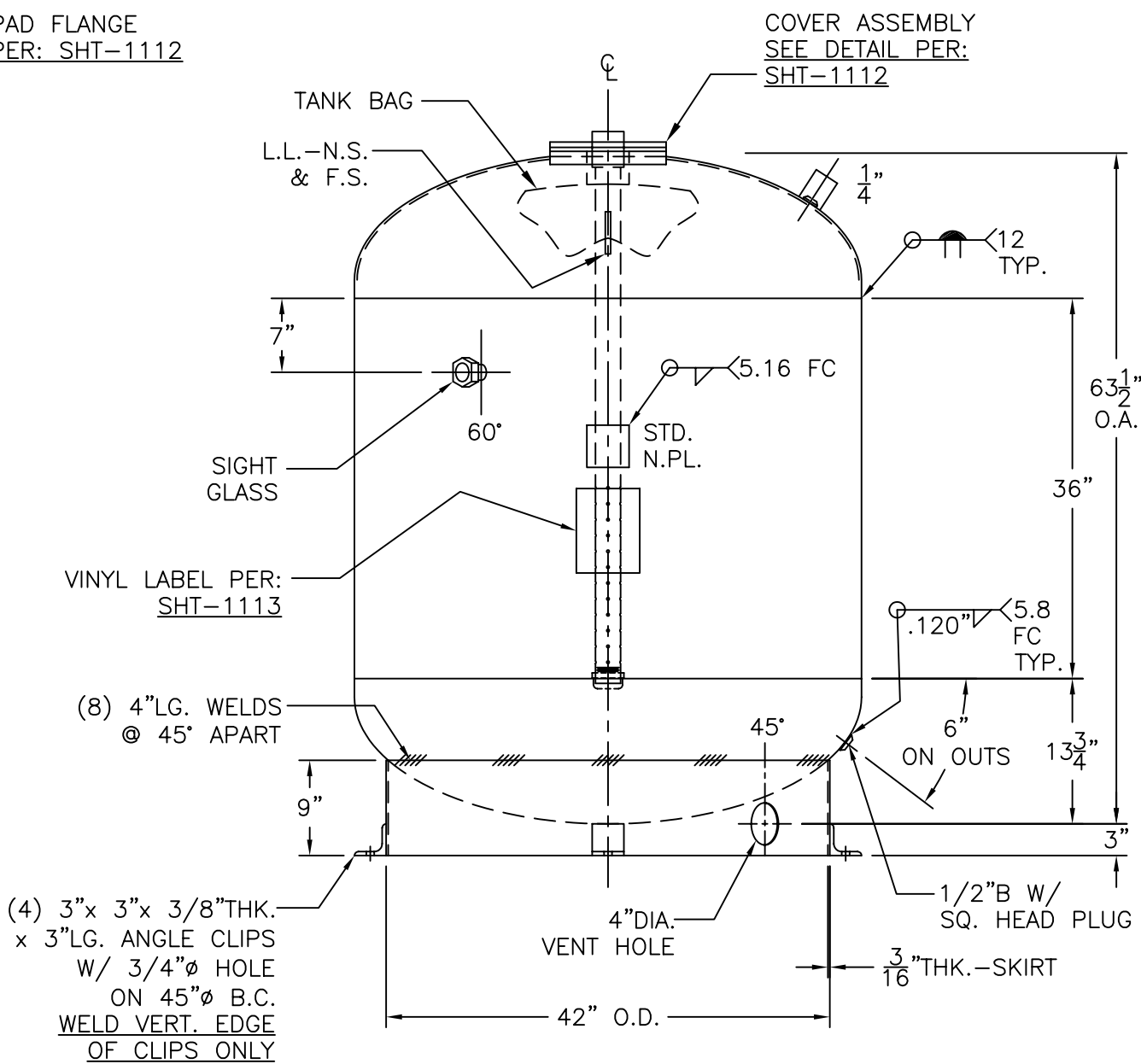


COVER ASSEMBLY DTL.



NOTE: 1) HYDRO @ 165 PSIG. MIN. 2) FOR NON CORROSIVE SERVICE-BLADDER TANK.

| SHELL / HEADS | |
|--|-------------------|
| 200" SA-455 | 2:1 S.E. |
| JOGGLE | |
| M.A.W.P. 125 | PSIG. @ 240 °F |
| M.D.M.T. 32 | °F @ 125 PSIG. |
| ASME SECTION VIII DIV. 1, 2007 ADD. 2007 | |
| X-RAY: RT-4 | SPOT L.S. ONLY |
| GALLONS: 422 | WT. 780 LBS. |
| SERIAL NO. | |
| N.B. | |
| TB-422-R | |
| HANSON STANDARD VERT. BLADDER TANK | |
| INSIDE: UNPAINTED | |
| OUTSIDE: PRIMER | |
| BY: E.S. | SCALE: 3/4" = 12" |
| ROY E. HANSON JR. MFG. | |
| 1600 E. WASHINGTON BLVD. LOS ANGELES, CA 90021 | |
| REV. 11-18-08 | DATE: 4-1-05 |