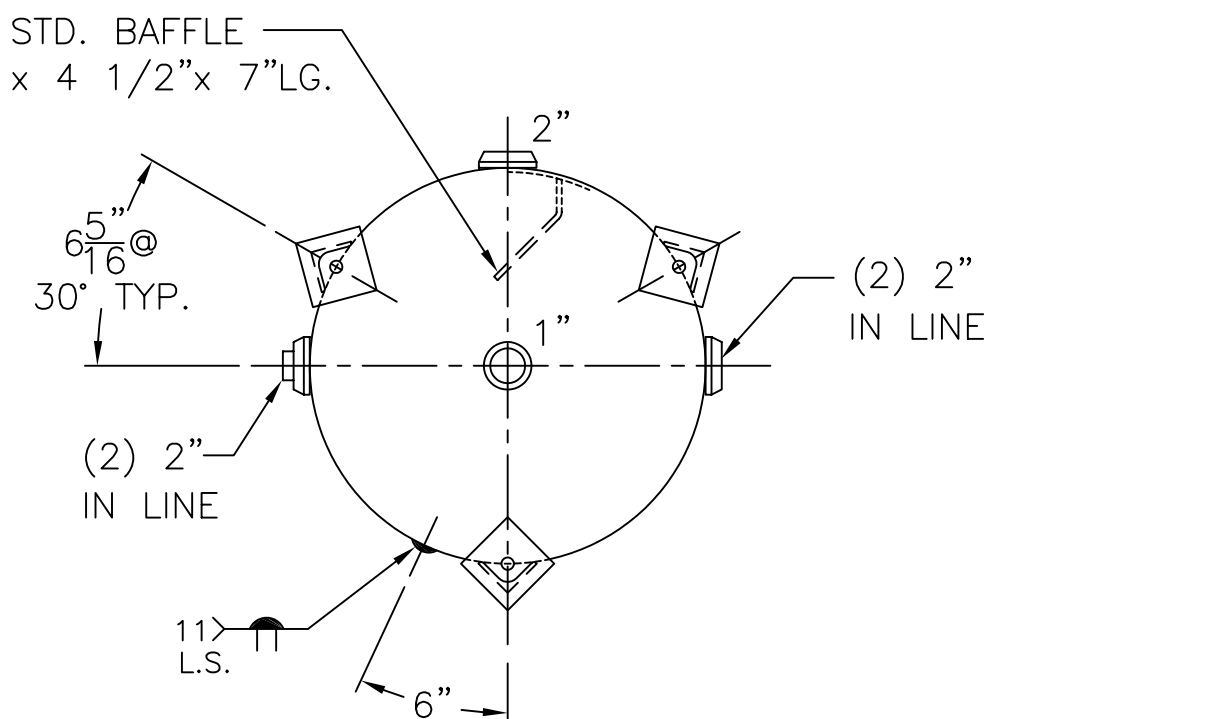


NOTE: 1) HYDRO @ 195 PSIG. MIN.
 2) 3"R W/LONG PILOT - MACHINE TO 4 5/16" O.D.



SHELL / HEADS		.164" SA-414-G 2:1 S.E.	
JOGGLE			
.135" SA-414-G			
M.A.W.P.	150 PSIG. @ 250 °F		
M.D.M.T.	0 °F @ 150 PSIG.		
ASME SECTION VIII	DIV. 1, 2007 ADD 2008		
X-RAY:	RT-NO		
GALLONS:	115	WT.	228 LBS.
SERIAL NO.			
N.B.			
FOR: -		WM-718-B	REV.
VERT. WATER (BUFFER) TANK		DATE:	6-15-09
INSIDE: UNPAINTED			
OUTSIDE: PRIME			
LEG-ZONE 4-15 KM.			
BY: J.G./C.J.	SCALE: 1"=12"		
ROY E. HANSON JR. MFG.			
1600 E. WASHINGTON BLVD.			
LOS ANGELES, CA 90021			