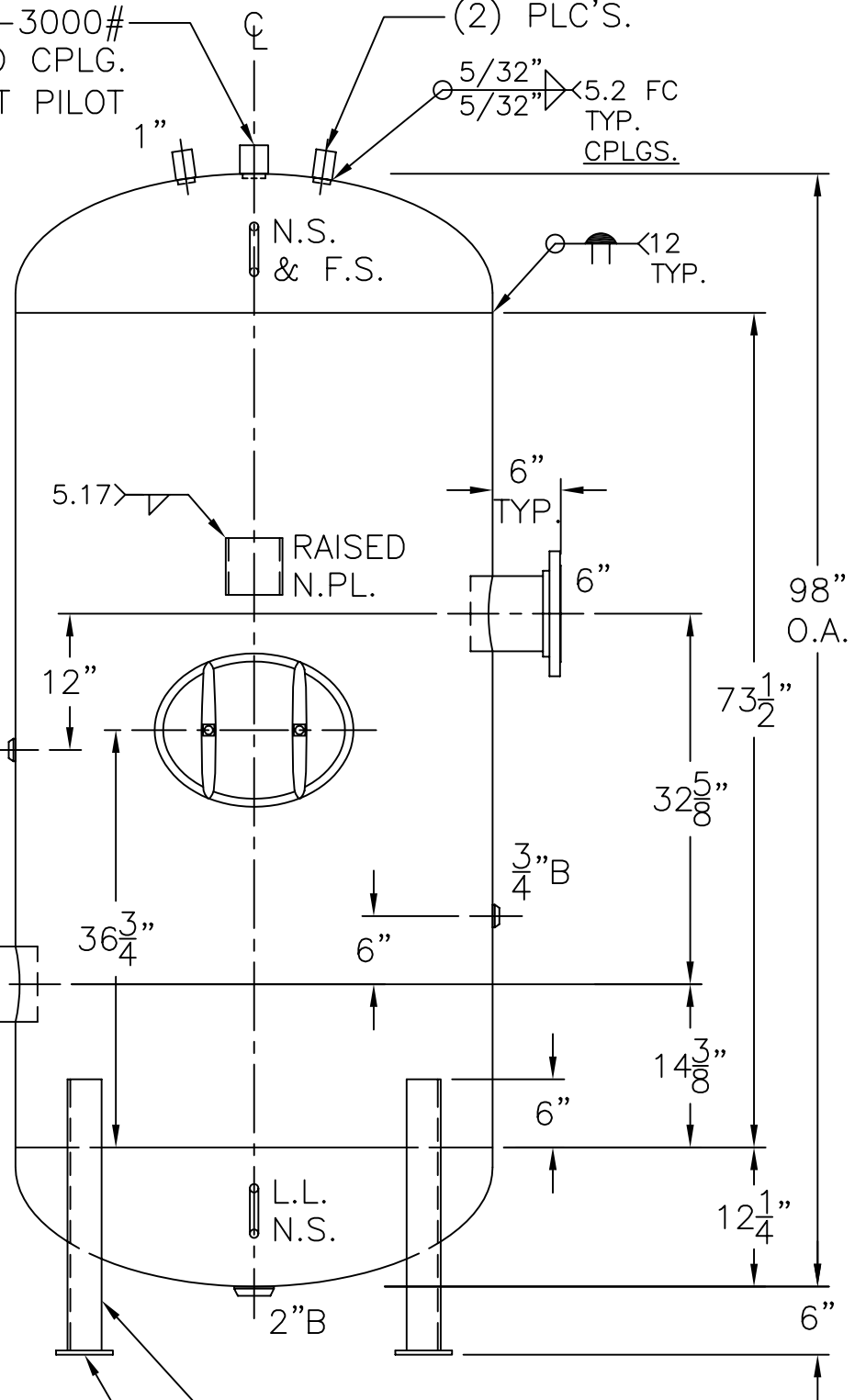


6"-150# R.F.S.O.  
FLG. W/ SCH. 40  
SA-106-B  
PIPE x 7 5/8"LG.  
(2) PLC'S.

3/4"  $\phi$  SOLAR  
L.LUG  
(3) PLC'S.

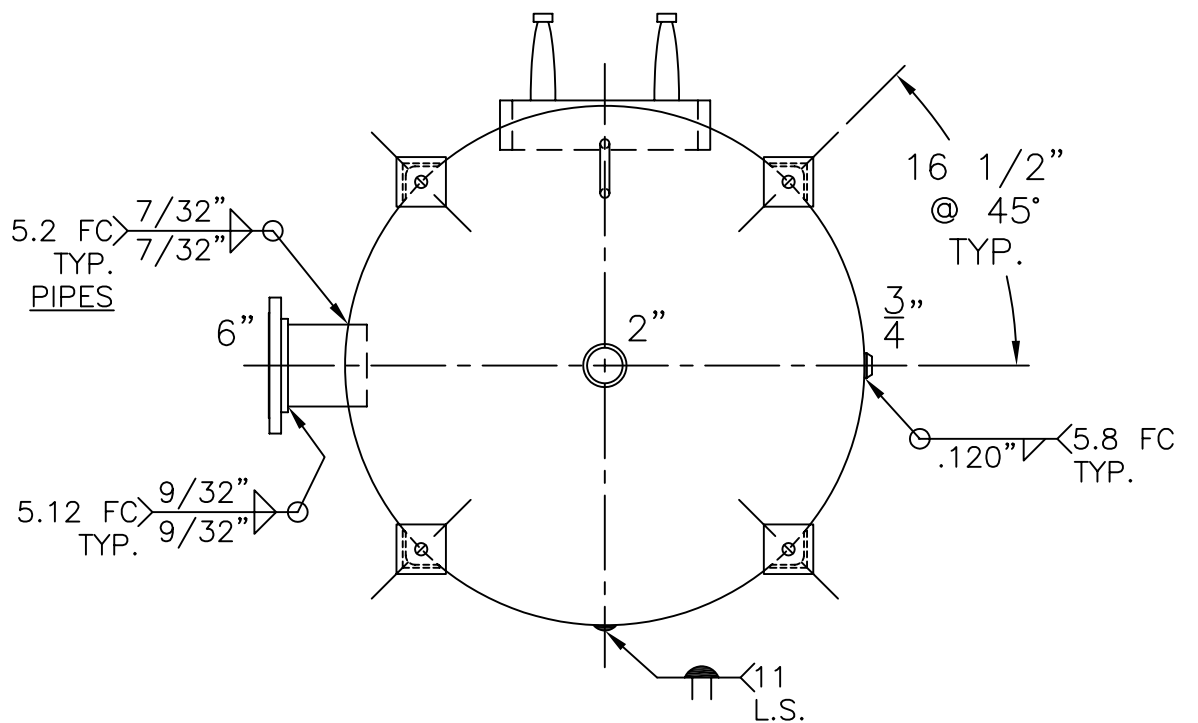
1 1/2"-3000#  
EXTENDED CPLG.  
W/ SHORT PILOT

1"-3000#  
EXTENDED CPLG.  
W/ SHORT PILOT  
(2) PLC'S.



(4) 3"x 3"x 1/4"THK.  
x 23 7/8"LG. ANGLE LEG

(4) 4"x 4"x 3/8"THK.  
PAD W/ 7/8" HOLE  
FOR 5/8"  $\phi$  x 8"LG. BOLTS  
GRADE 5 OR BETTER  
6" EMBEDMENT



NOTE: 1) HYDRO @ 195 PSIG. MIN.

SHELL / HEADS	JOGGLE	.205" SA-455	2:1 S.E.
		.218" SA-455	
M.A.W.P.	150	PSIG.	@ 200 °F
M.D.M.T.	0	°F @	150 PSIG.
ASME. SECTION VIII	DIV. 1, 2007 ADD 2008		
X-RAY:	RT-NO	WT.	1160 LBS.
GALLONS:	534		
SERIAL NO.			
N.B.			

FOR:	<b>WM-721-B</b>	REV.	6-23-09
		DATE:	6-17-09
VERT. WATER BUFFER TANK			
SURFACE AREA = 97.1 SQ. FT.			
INSIDE: UNPAINTED			
OUTSIDE: S. BLAST, INORGANIC			
LEG-ZONE 3-15 KM.			
BY: E.S. / C.J.	SCALE: 3/4" = 12"		
<b>ROY E. HANSON JR. MFG.</b>	1600 E. WASHINGTON BLVD.		
	LOS ANGELES, CA 90021		