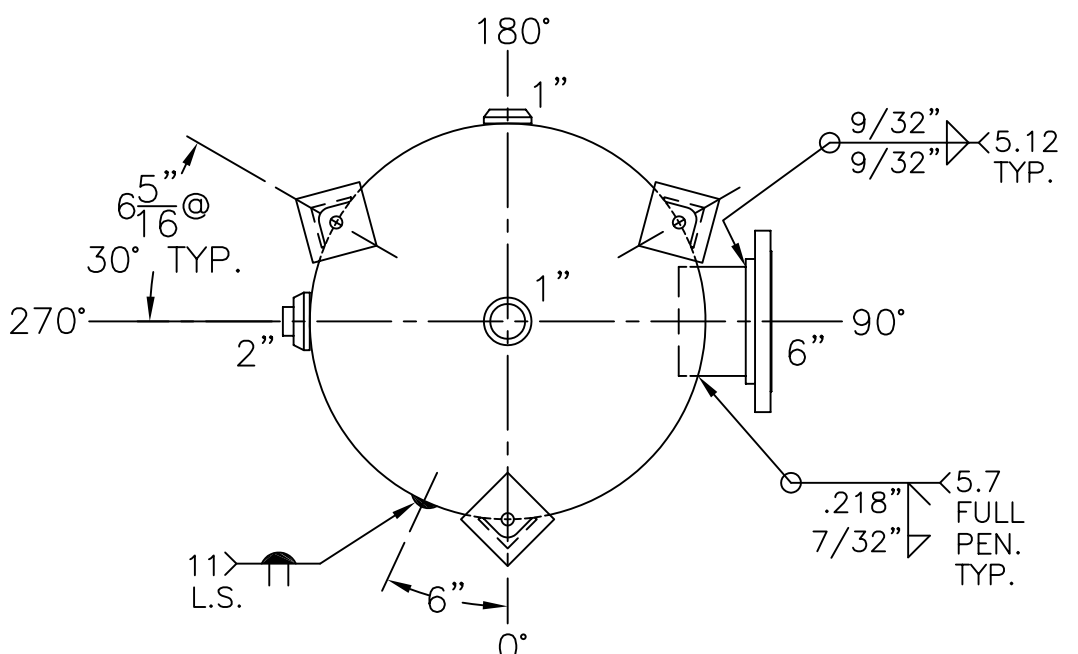


(3) 2 1/2"x 2 1/2"x 3/16" THK. x 16 1/16" LG. ANGLE LEGS

(3) 4"x 4"x 1/4" THK. PAD W/ 3/4"Ø HOLE FOR 1/2"Ø x 8" LG. BOLTS GRADE 5 OR BETTER 6" EMBEDMENT

NOTE: 1) HYDRO @ 195 PSIG. MIN.  
2) INSTALL ALL (2) 6" COLLARS AFTER GIRTH SEAMS ARE WELDED.



SHELL / HEADS		M.A.W.P. 150 PSIG. @ 250 °F	
.164" SA-414-G 2:1 S.E.		M.D.M.T. 0 °F @ 150 PSIG.	
JOGGLE - .159 OFFSET		ASME SECTION VIII DIV. 1, 2010 ADD 2010	
.218" SA-455		X-RAY: RT-NO	
		GALLONS: 125 WT. 535 LBS.	
		SERIAL NO.	
		N.B.	
FOR: -		WN-195-B	
VERT. HOT WATER (BUFFER) TANK		REV. 3-25-11	
SURFACE AREA = 39.4 SQ. FT.		DATE: 3-21-11	
UW-21 (b)			
INSIDE: UNPAINTED			
OUTSIDE: SHOP PRIME			
LEG-ZONE 4-15 KM.			
BY: J.G./C.J.		SCALE: 1"=12"	
<b>ROY E. HANSON JR. MFG.</b>			
1600 E. WASHINGTON BLVD.			
LOS ANGELES, CA 90021			