

4"-150# R.F.S.O.  
 FLG. W/ SCH. 40  
 SA-106-B  
 PIPE x 7 1/16"LG.  
 (2) PLC'S.

3/4" B FOR BRASS AIR VENT  
 HONEYWELL BRAUKMANN  
 #EA79A1004  
 (EXTRA COST)

5" HEIGHT  
 OF AIR VENT

3/4"-3000#  
 FULL CPLG.

5/32" TYP. 5.2

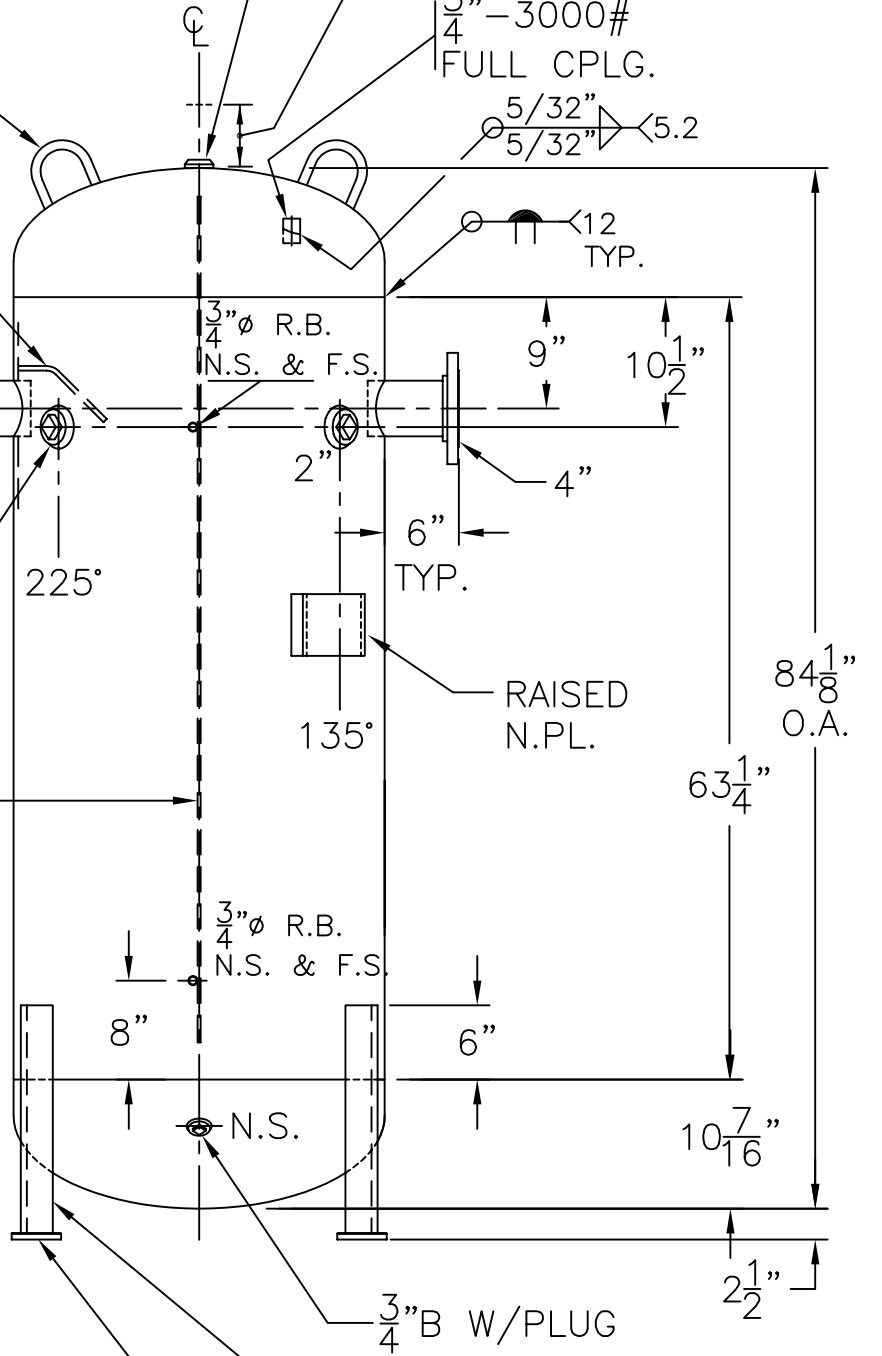
3/4"φ SOLAR  
 L.LUG  
 (2) PLC'S.

STD. BAFFLE  
 4 1/2"x 7"LG.  
 POINTING DOWN

4" LABEL "INLET"

2"R W/C.I. PLUG  
 INSP. OPENING  
 (2) PLC'S

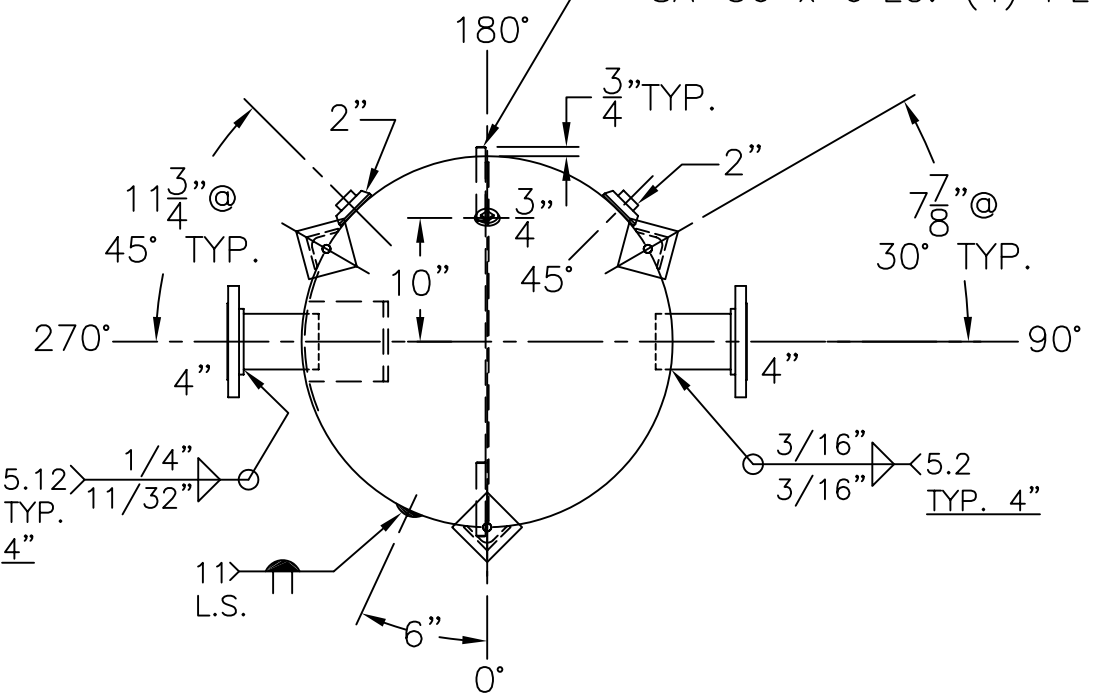
.136"THK. BAFFLE  
 PER: WN-556-B-1A



(3) 3"x 3"x 3/16"THK.  
 x 18 9/16"LG. ANGLE LEGS

(3) 4"x 4"x 3/8"THK.  
 PAD W/ 7/8"φ HOLE

3/4"φ ROUND BAR  
 SA-36 x 6"LG. (4) PLC'S



SHELL / HEADS	
JOGGLE	.164" SA-414-G 2:1 S.E.
M.A.W.P.	150 PSIG. @ 212 °F
M.D.M.T.	30 °F @ 150 PSIG.
ASME SECTION	VIII DIV. 1, 2013
X-RAY:	RT-NO
GALLONS:	240 WT. 559 LBS.
SERIAL NO.	
N.B.	

NOTE. 1) 2) HYDRO @ 195 PSIG. MIN.  
 WELD 3/4"φ ROUND BARS TO SHELL AFTER HEADS ARE IN PLACE

<b>B-240-30</b>	
FOR: HANSON BUFFER TANK	REV. 12-24-13
SURFACE AREA = 58.7 SQ. FT.	DATE: 6-15-12
INSIDE: UNPAINTED	
OUTSIDE: PRIME	
LEG ZONE: 4-15 KM.	
BY: J.G.	SCALE: 3/4"=12"
<b>ROY E. HANSON JR. MFG.</b>	
1600 E. WASHINGTON BLVD. LOS ANGELES, CA 90021	