

4" - 150# R.F.S.O.
FLG. W/ SCH. 80
SA-106-B
PIPE x 7 5/16" LG.
(2) PLC'S.

3/4" B FOR BRASS AIR VENT
HONEYWELL BRAUKMANN
#EA79A1004
(EXTRA COST)

5" HEIGHT
OF AIR VENT

3/4" - 3000#
FULL CPLG.

3/4" Ø SOLAR
L.LUG
(2) PLC'S.

STD. BAFFLE
4 1/2" x 7" LG.
POINTING DOWN

4" LABEL "INLET"

2" B
W/LONG PILOT
W/C.I. PLUG
INSP. OPENING

.136" THK. BAFFLE
PER: WN-555-B-1A

3/4" Ø R.B.
N.S. & F.S.

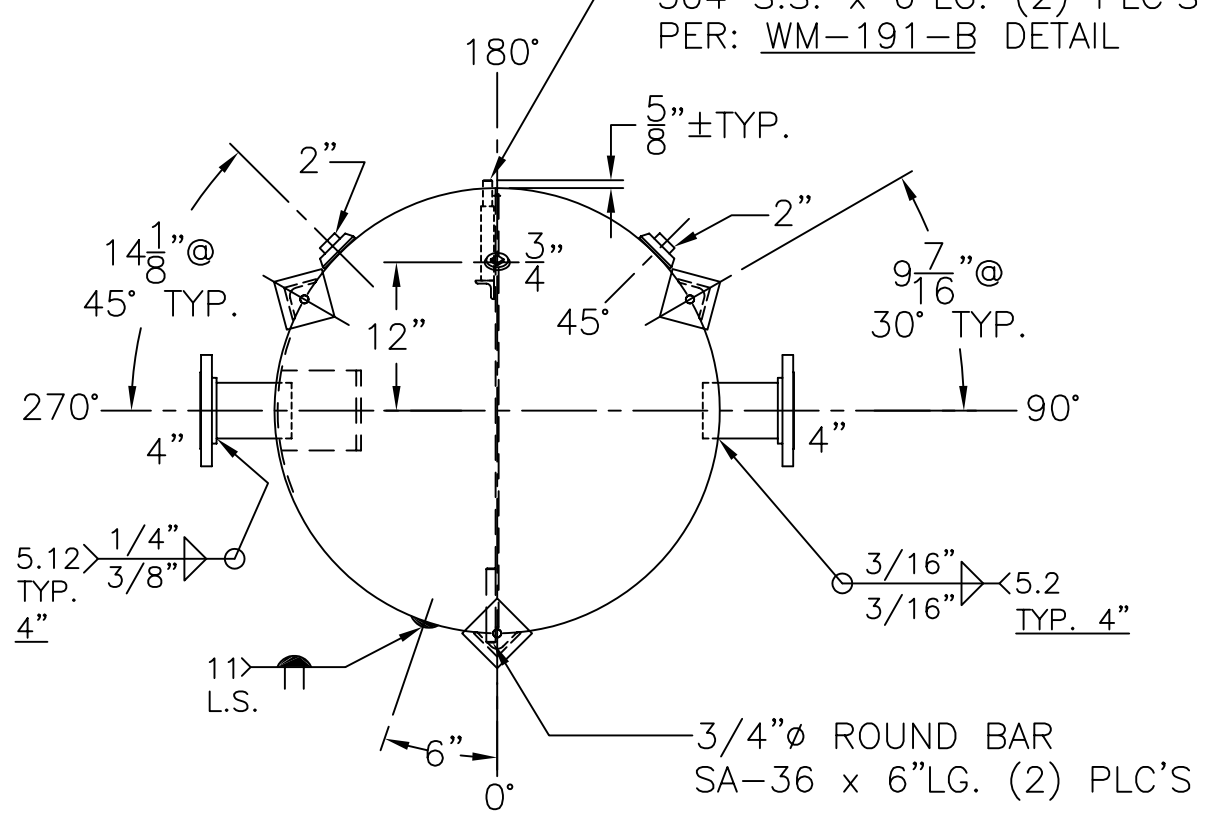
3/4" Ø R.B.
N.S. & F.S.

3/4" B W/PLUG

(3) 3" x 3" x 1/4" THK.
x 19 1/2" LG. ANGLE LEGS

(3) 4" x 4" x 3/8" THK.
PAD W/ 7/8" Ø HOLE

3/4" Ø ROUND BAR
304 S.S. x 6" LG. (2) PLC'S
PER: WM-191-B DETAIL



NOTE. 1) 2) HYDRO @ 195 PSIG. MIN.
WELD 3/4" Ø ROUND BARS TO SHELL AFTER HEADS ARE IN PLACE

SHELL / HEADS	
.165" SA-414-G	2:1 S.E.
JOGGLE	
.164" SA-414-G	
M.A.W.P. 150 PSIG. @ 212 °F	
M.D.M.T. 30 °F @ 150 PSIG.	
ASME SECTION VIII DIV. 1, 2013	
X-RAY: RT-4 SPOT L.S. ONLY	
GALLONS: 350	WT. 686 LBS.
SERIAL NO.	
N.B.	

B-350-36	
FOR: HANSON BUFFER TANK	REV. 12-13-13
SURFACE AREA = 73.1 SQ. FT.	DATE: 6-15-12
INSIDE: UNPAINTED	
OUTSIDE: PRIME	
LEG-ZONE 4-15 KM.	
BY: E.S.	SCALE: 3/4" = 12"
ROY E. HANSON JR. MFG.	
1600 E. WASHINGTON BLVD.	
LOS ANGELES, CA 90021	