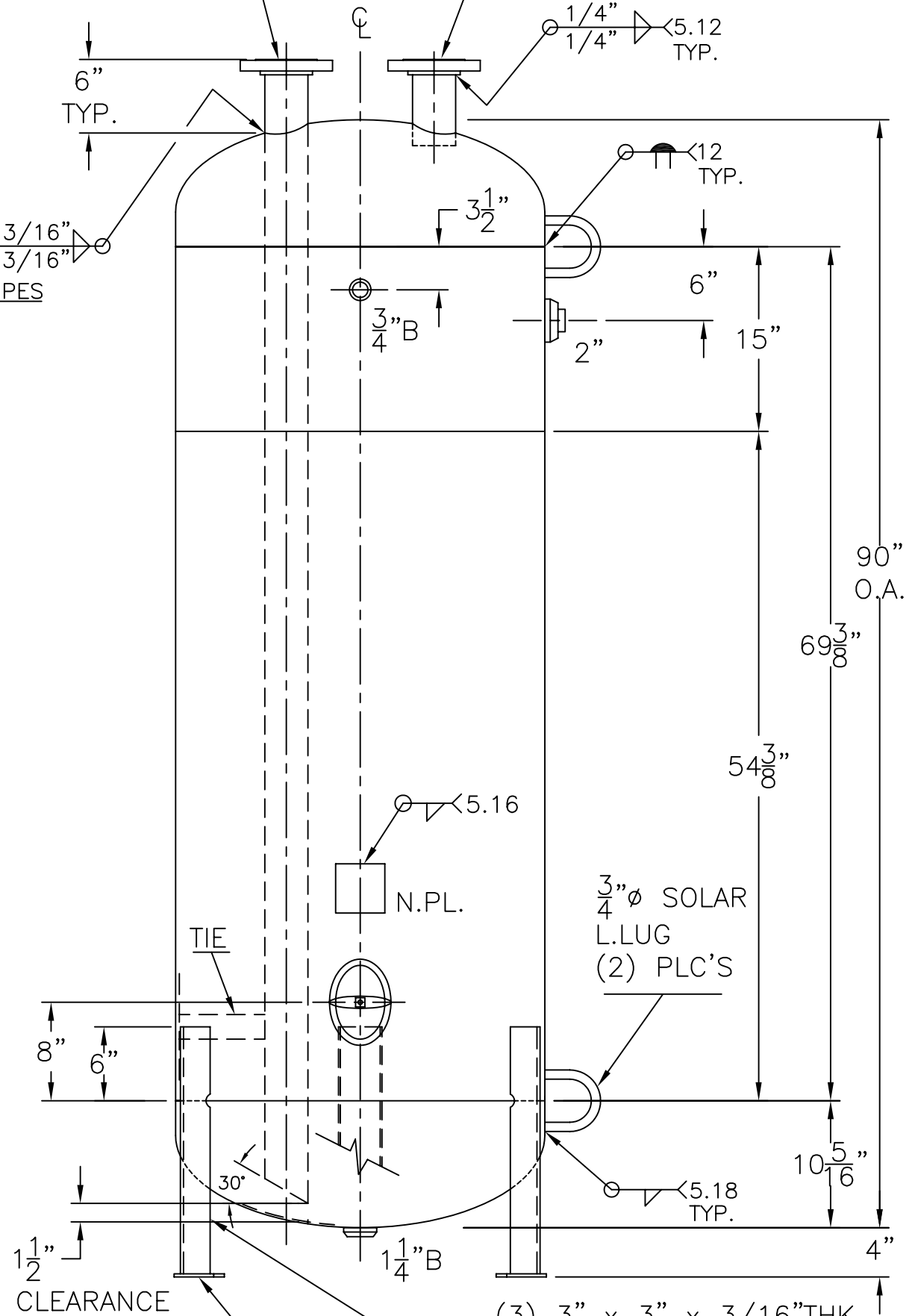


3"-150# R.F.S.O.
 FLG. W/SCH 40
 SA-106-B
 PIPE x 92 5/8"LG.
 W/30° MITRE

3"-150# R.F.S.O.
 FLG. W/SCH 40
 SA-106-B
 PIPE x 7"LG.

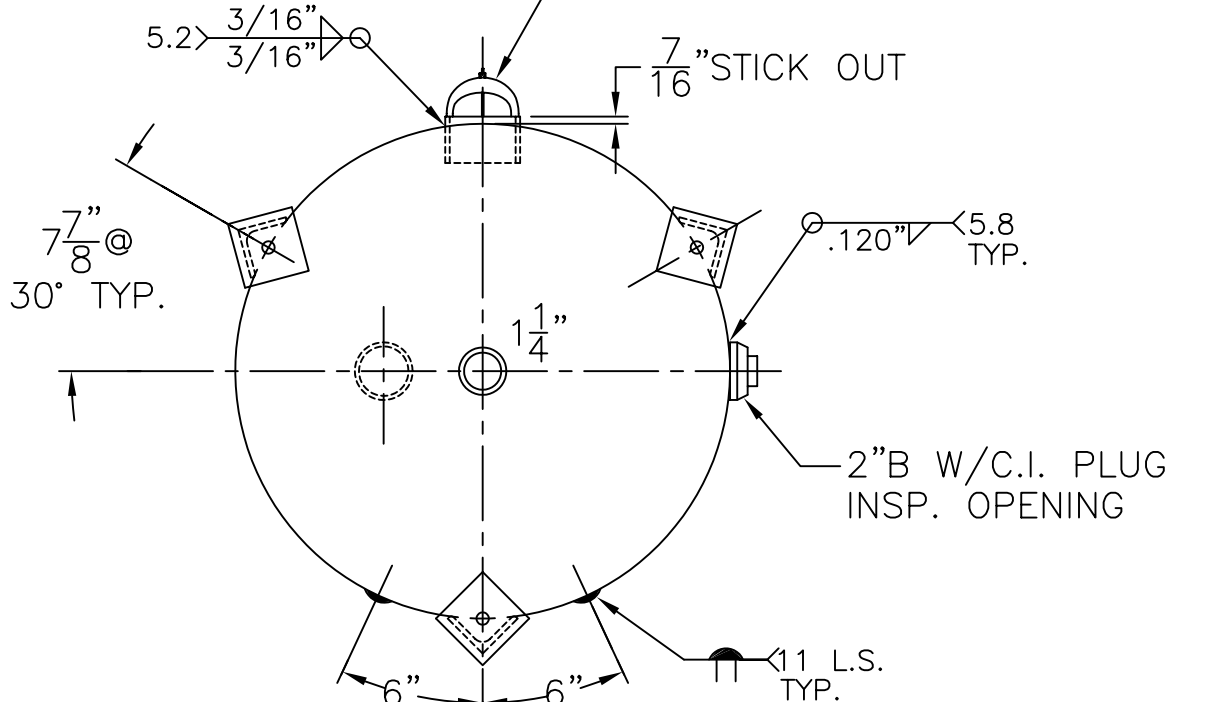


(3) 3" x 3" x 3/16"THK. x 20"LG. ANGLE LEGS

(3) 4" x 4" x 5/16"THK. PADS W/7/8"Ø HOLE FOR x 5/8"Ø x 8"LG. BOLTS GRADE 5 OR BETTER 6" EMBEDMENT

4" x 6" H.HOLE W/3/8" x 3"LG. GR.70 RING

7/16" STICK OUT



2" B W/C.I. PLUG INSP. OPENING

11 L.S. TYP.

NOTE: 1) HYDRO @ 195 PSIG. MIN.

SHELL / HEADS	
.140" SA-414-G 2:1 S.E.	JOGGLE
.164" SA-414-G	
M.A.W.P. 150 PSIG. @ 200 °F	
M.D.M.T. 0 °F @ 150 PSIG.	
ASME SECTION VIII DIV. 1, 2007 ADD 2008	
X-RAY: RT-NO	
GALLONS: 260	WT. 541 LBS.
SERIAL NO.	
N.B.	

WK-975-B	
FOR: -	REV. 4-21-09
VERT. CHILLED WATER TANK	DATE: 1-28-05
SURFACE AREA = 62.6 SQ. FT.	
UW-21 (b)	
INSIDE: UNPAINTED	
OUTSIDE: SHOP PRIME	
LEG ZONE: 3-15 KM.	
BY: J.G. / C.J.	SCALE: 1" = 12"
ROY E. HANSON JR. MFG.	
1600 E. WASHINGTON BLVD.	
LOS ANGELES, CA 90021	