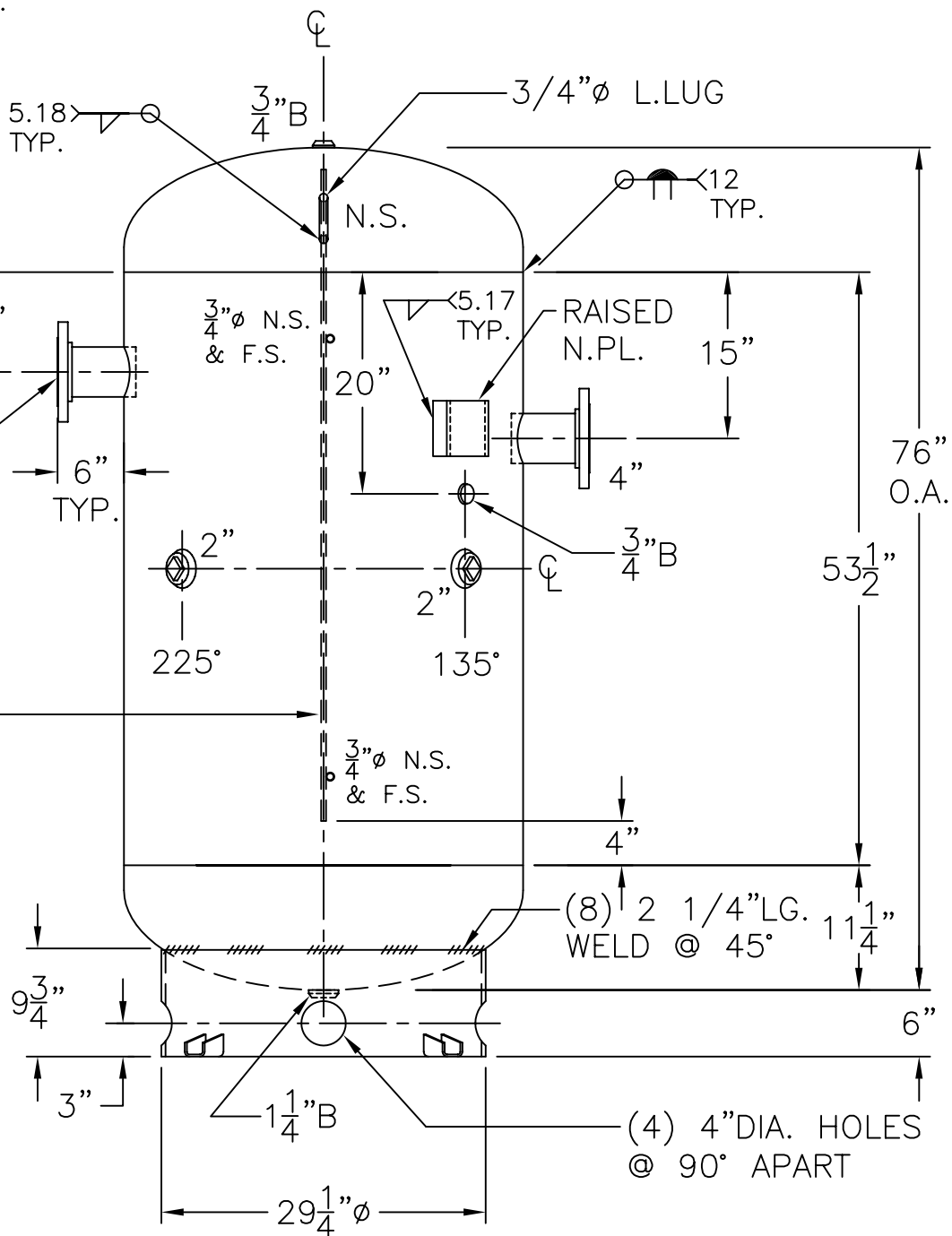


2" R W/ C.I. PLUG
INSP. OPENINGS
(2) PLC'S.

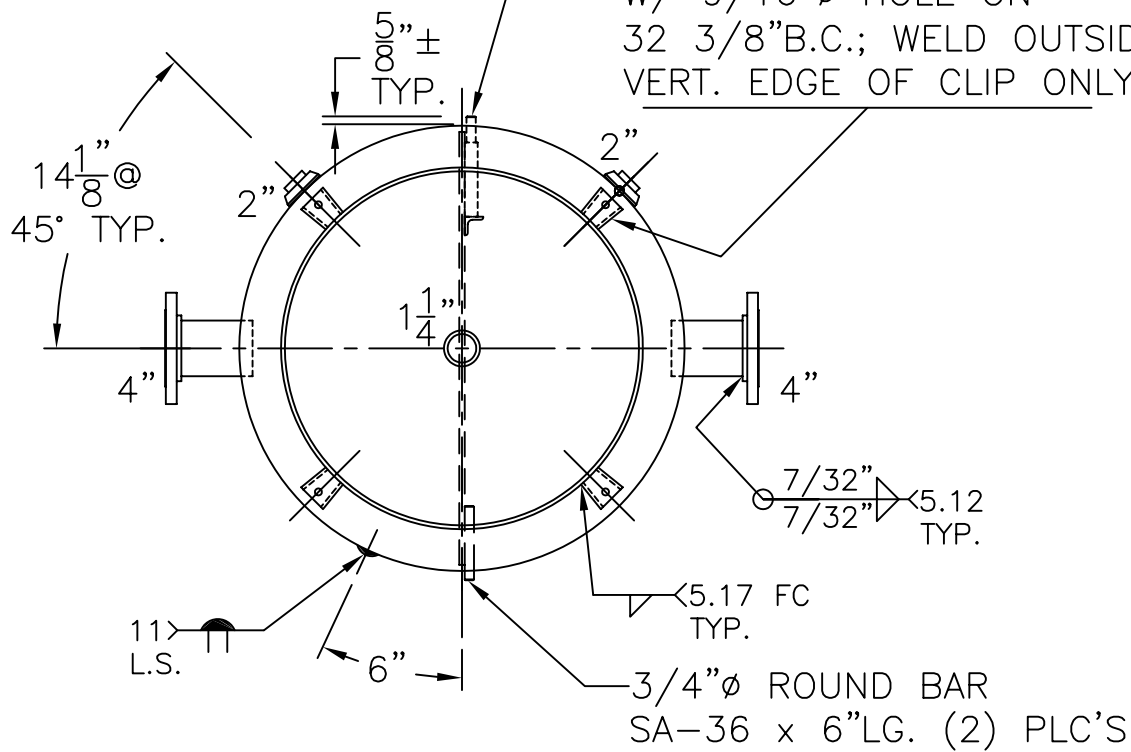
4"-150# R.F.S.O.
FLG. W/SCH 40
SA-106-B PIPE
x 7 1/16" LG.
(2) PLC'S

.136" THK. BAFFLE
PER: WL-147-B-1A



3/4" ϕ ROUND BAR
304 S.S. x 6" LG. (2) PLC'S
PER: WM-191-B DETAIL

1/4" THK. CLIPS PER
MA-395-B (4) PLC'S.
W/ 9/16" ϕ HOLE ON
32 3/8" B.C.; WELD OUTSIDE
VERT. EDGE OF CLIP ONLY



NOTE: 1) HYDRO @ 195 PSIG. MIN.
2) WELD 3/4" ϕ ROUND BARS TO SHELL AFTER HEADS ARE IN PLACE.
3) CRN: B.C.

SHELL / HEADS		.182" SA-455 2:1 S.E.	
JOGGLE - .149 OFFSET			
M.A.W.P.	150 PSIG. @ 125 °F	WL-147-B	
M.D.M.T.	+20 °F @ 150 PSIG.	REV. 6-1-10	
ASME SECTION VIII	DIV. 1, 2007 ADD. 2009	DATE: 6-14-05	
X-RAY:	RT-NO	FOR: HANSON STANDARD	
GALLONS:	300	VERT. CHILLED WATER TANK	
WT.	686 LBS.	SURFACE AREA = 65.0 SQ. FT.	
SERIAL NO.		UW-21(b)	
N.B.		INSIDE: UNPAINTED	
OUTSIDE: PRIME			
BY: J.G.			
SCALE: 3/4"=12"			
ROY E. HANSON JR. MFG.			
1600 E. WASHINGTON BLVD.			
LOS ANGELES, CA 90021			