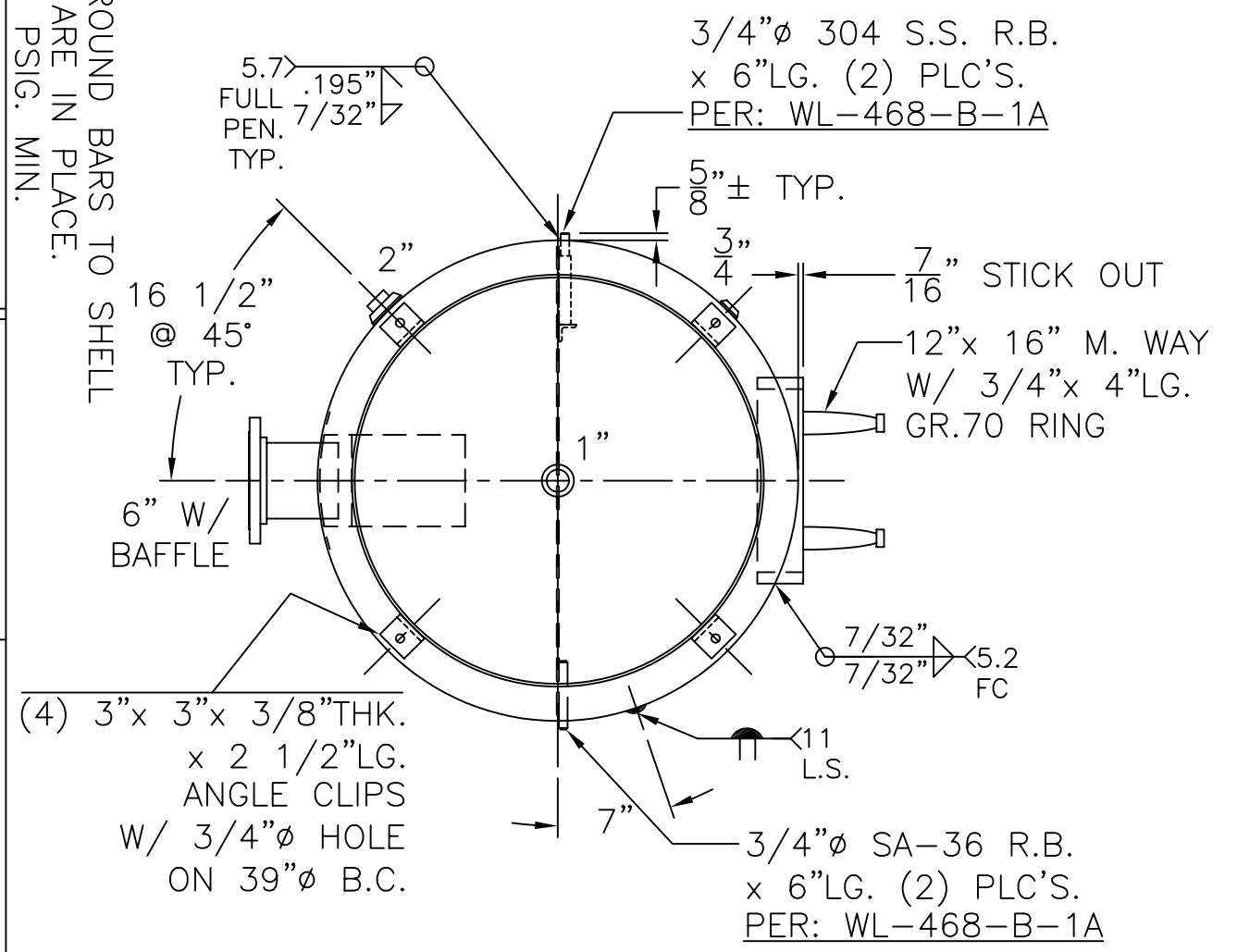


SHELL / HEADS	
JOGGLE	.205" SA-455 2:1 S.E.
M.A.W.P.	125 PSIG. @ 200 °F
M.D.M.T.	0 °F @ 125 PSIG.
ASME SECTION VIII	DIV. 1, 2007 ADD 2009
X-RAY:	RT-NO
GALLONS:	520 WT. 1222 LBS.
SERIAL NO.	
N.B.	

NOTE: 1) HYDRO @ 163 PSIG. MIN.
 2) WELD 3/4" Ø ROUND BARS TO SHELL AFTER HEADS ARE IN PLACE.

WL-468-B	
FOR: HANSON STANDARD	REV. 12-16-09
VERT. CHILLED WATER TANK	DATE: 4-5-06
SURFACE AREA = 95.3 SQ. FT.	
INSIDE: UNPAINTED	
OUTSIDE: PRIME	
BY: E.S.	SCALE: 3/4" = 12"
ROY E. HANSON JR. MFG.	
1600 E. WASHINGTON BLVD.	
LOS ANGELES, CA 90021	



(4) 3" x 3" x 3/8" THK. x 2 1/2" LG. ANGLE CLIPS W/ 3/4" Ø HOLE ON 39" Ø B.C.