

2" B W/C.I. PLUG FOR HYDRO TEST

6" - 150# R.F.S.O. FLG. W/SCH 40 SA-106-B PIPE x 7 5/8" LG. (2) PLC'S

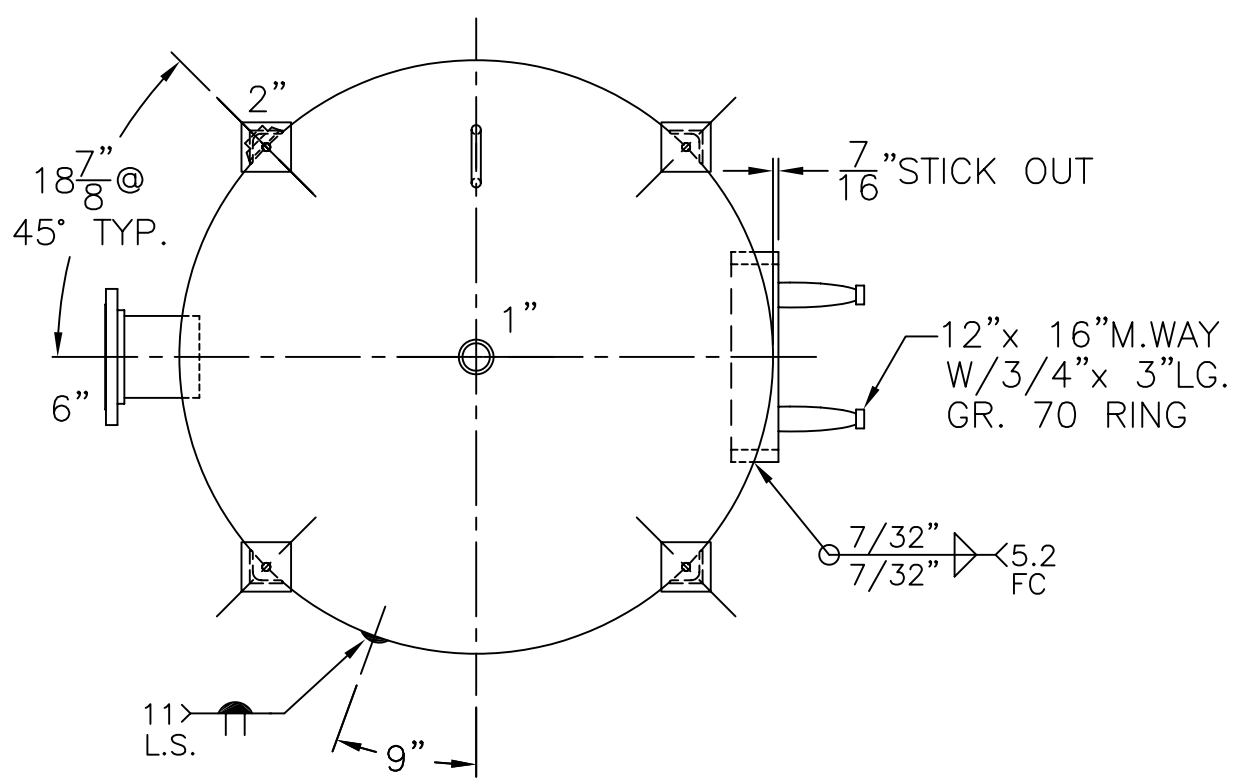
N.S. & F.S.

RAISED N.PL.

L.L. N.S.

(4) 3" x 3" x 1/4" THK. x 24 5/8" LG. ANGLE LEGS

(4) 4" x 4" x 3/8" THK. PAD W/ 3/4" Ø HOLE FOR 1/2" Ø x 8" LG. BOLTS GRADE 5 OR BETTER 6" EMBEDMENT



NOTE: 1) HYDRO @ 165 PSIG. MIN.

SHELL / HEADS	.218" SA-455 2:1 S.E. JOGGLED - .199 OFFSET
M.A.W.P.	125 PSIG. @ 200 °F
M.D.M.T.	0 °F @ 125 PSIG.
ASME SECTION	VIII DIV. 1, 2007 ADD 2007
X-RAY:	RT-NO
GALLONS:	500 WT. 1067 LBS.
SERIAL NO.	N.B.

FOR: -	WL-644-B	REV. 9-24-08
VERT. CHILLED WATER TANK.		DATE: 9-1-06
SURFACE AREA = 85.9 SQ. FT.		
INSIDE: UNPAINTED		
OUTSIDE: PRIME		
LEG ZONE: 3-15 KM.		
BY: J.G./C.J.	SCALE: 3/4" = 12"	
ROY E. HANSON JR. MFG.		
1600 E. WASHINGTON BLVD. LOS ANGELES, CA 90021		