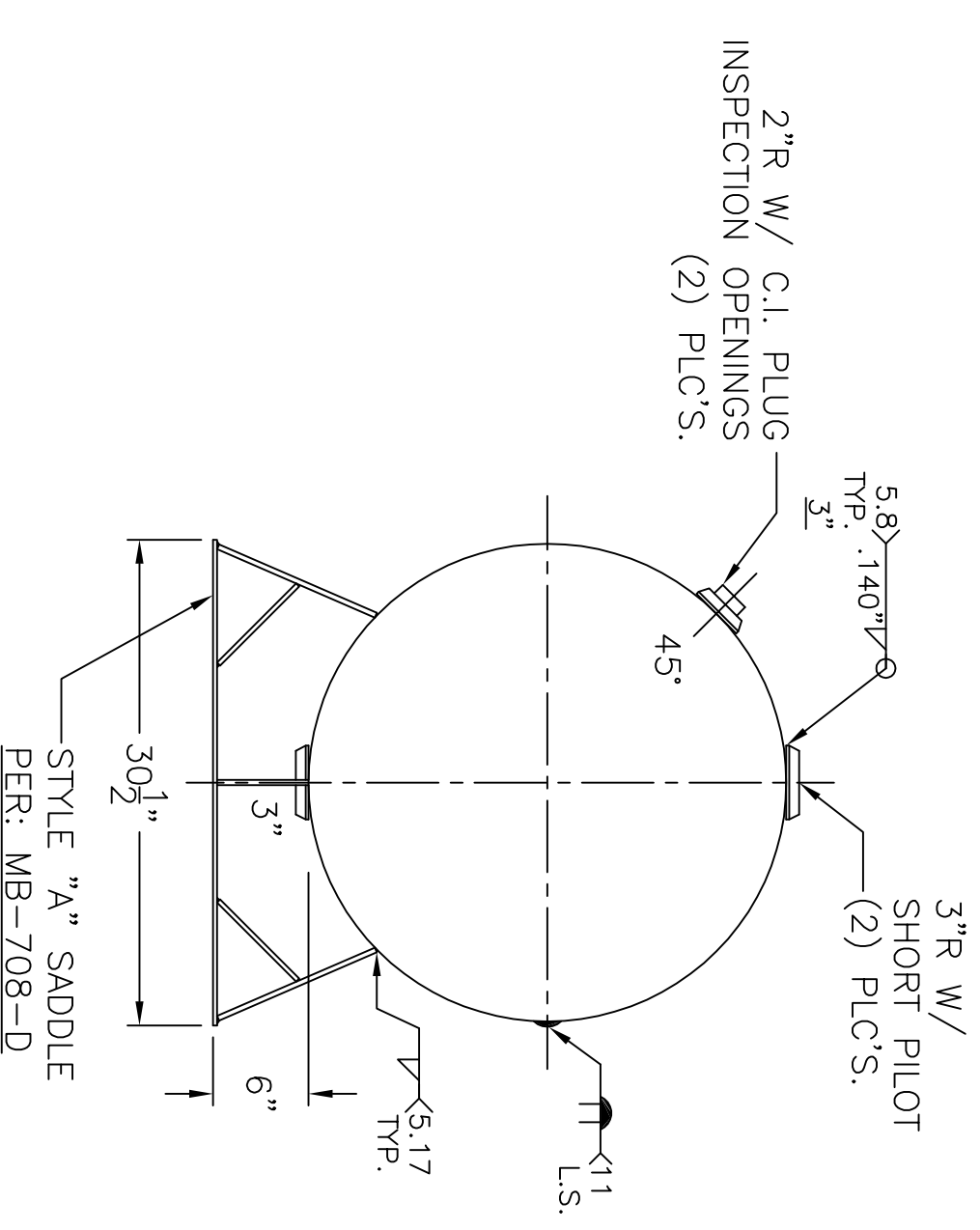
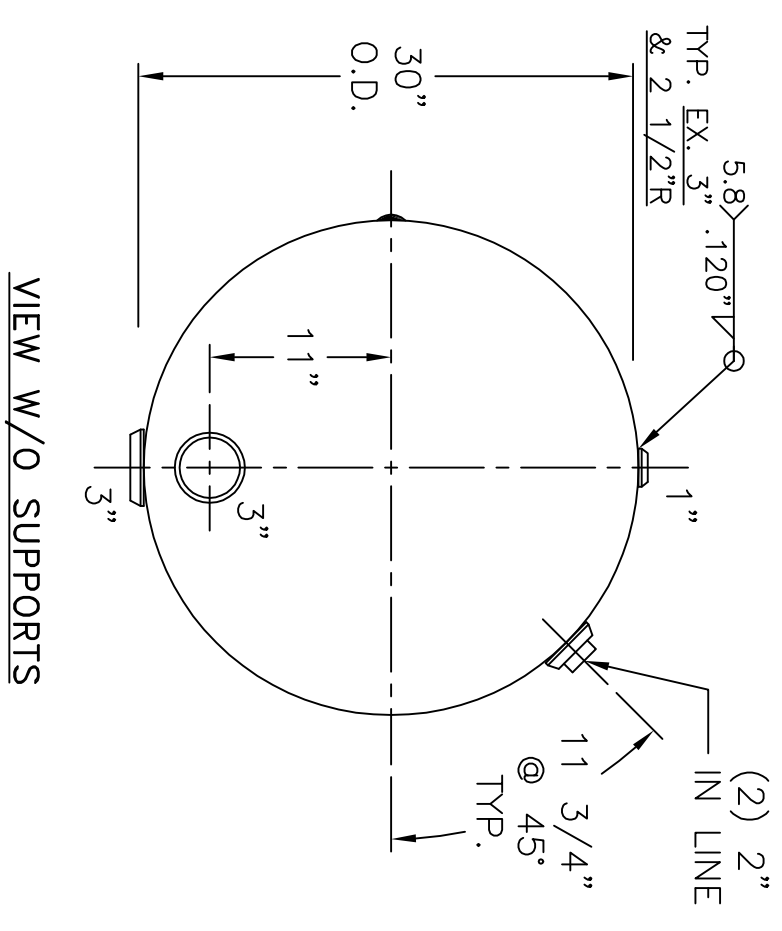
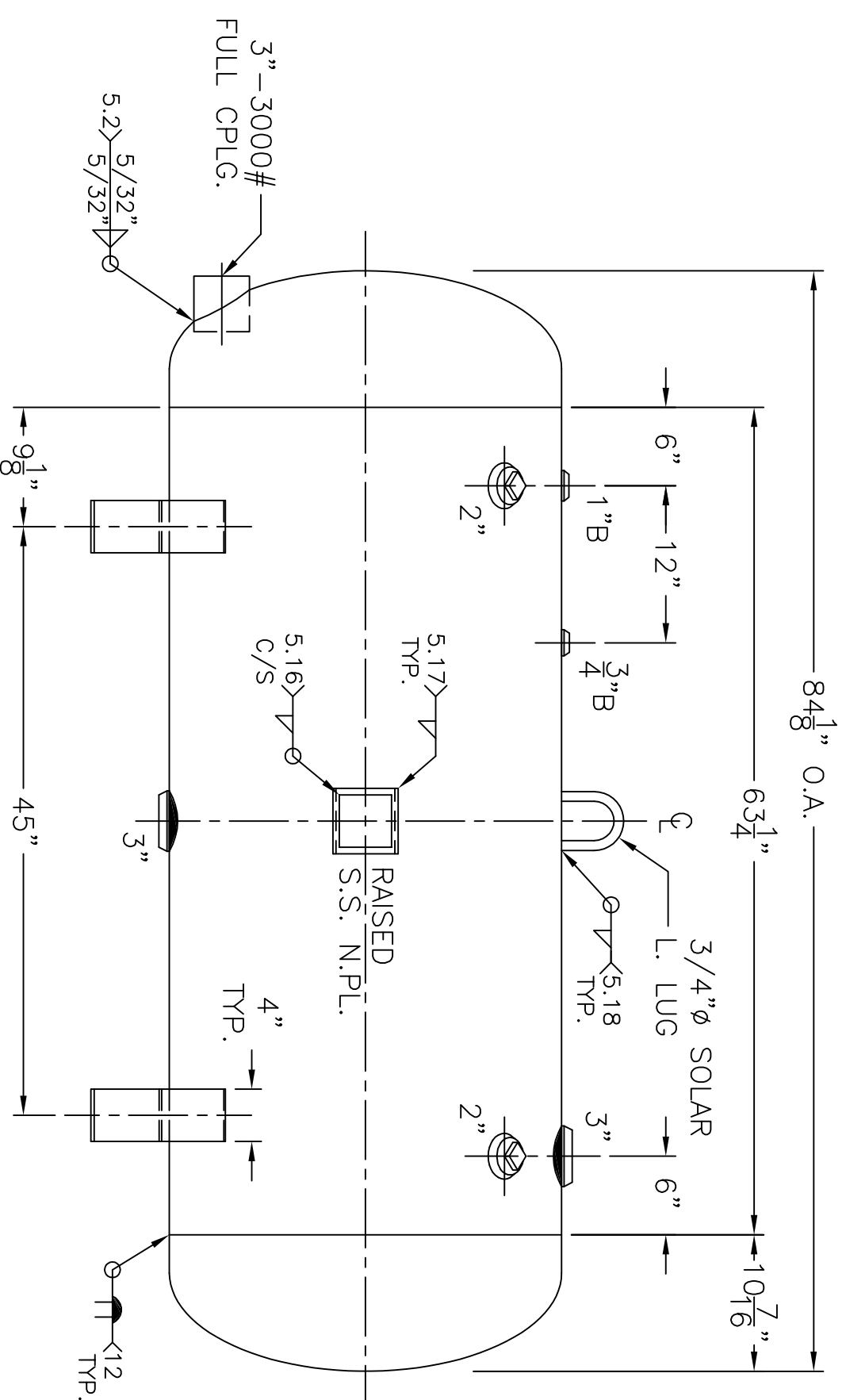


DATE	BY
3-11-14	RH
3-21-14	RH



NOTE: 1) HYDRO @ 163 PSIG. MIN.

SHELL / HEADS		.166" SA-414-G 2:1 S.E.	
JOGGLE			
.149" SA-414-G			
M.A.W.P.	125 PSIG. @	200	°F
M.D.M.T.	0 °F @	125	PSIG.
ASME SECTION VIII DIV. 1, 2013			
X-RAY:	RT-NO		
GALLONS:	235	WT.	446 LBS.
SERIAL NO.			
N.B.			
WM-049-B		REV.	3-21-14
FOR:		DATE:	9-20-07
HORIZ. CHILLED WATER TANK			
SURFACE AREA = 58.0 SQ. FT.			
INSIDE: UNPAINTED			
OUTSIDE: PRIME			
BY: E.S. / R.V.	SCALE: 1"=12"		
ROY E. HANSON JR. MFG.			
1600 E. WASHINGTON BLVD.			
LOS ANGELES, CA 90021			