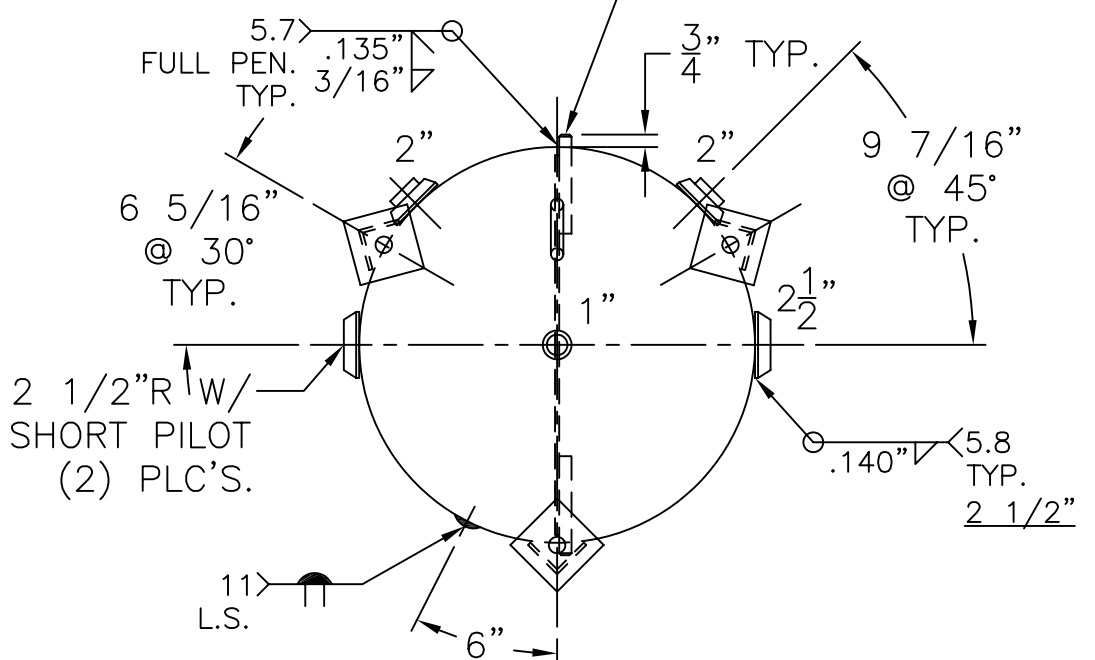


.166" THK. BAFFLE PER: WM-144-B-1A

(3) 2 1/2" x 2 1/2" x 3/16" THK. x 19 1/16" LG. ANGLE LEGS

(3) 4" x 4" x 1/4" THK. PAD W/ 3/4" ϕ HOLE FOR 1/2" ϕ x 8" LG. BOLTS GRADE 5 OR BETTER 6" EMBEDMENT

3/4" ϕ ROUND BAR SA-36 x 6" LG. (4) PLC'S. SEE NOTE: 2



NOTE: 2) WELD 3/4" ϕ ROUND BARS TO SHELL AFTER HEADS ARE IN PLACE.
1) HYDRO @ 164 PSIG. MIN.

SHELL / HEADS	
JOGGLE	.164" SA-414-G 2:1 S.E.
	.135" SA-414-G
M.A.W.P.	125 PSIG. @ 210 °F
M.D.M.T.	0 °F @ 125 PSIG.
ASME SECTION VIII	DIV. 1, 2007 ADD 2007
X-RAY:	RT-NO
GALLONS:	120 WT. 344 LBS.
SERIAL NO.	
N.B.	
WM-144-B	
FOR: -	REV. DATE: 12-11-07
VERT. CW (BUFFER) TANK	
SURFACE AREA = 35.9 SQ. FT.	
INSIDE: UNPAINTED	
OUTSIDE: PRIME	
BY: E.S. / H.D.	SCALE: 1"=12"
ROY E. HANSON JR. MFG.	
1600 E. WASHINGTON BLVD. LOS ANGELES, CA 90021	