

6"-150# R.F.S.O. FLG. W/ SCH. 40 SA-106-B SMLS. PIPE x 7 5/8" LG. (2) PLC'S.

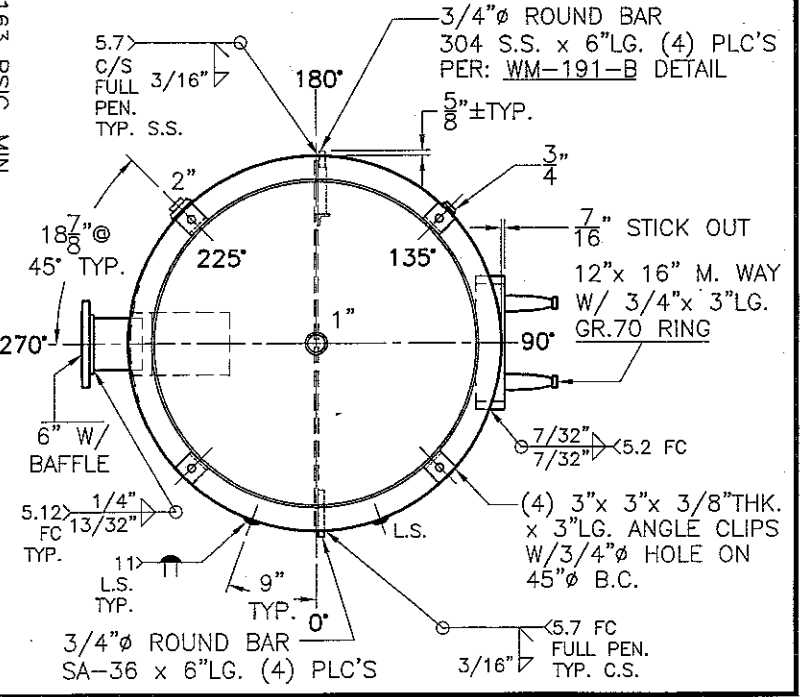
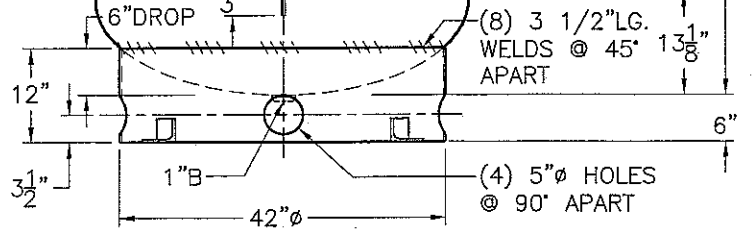
2" B W/ C.I. PLUG INSP. OPENING

.136" THK. BAFFLE PER: WM-185-B-2B

SHELL / HEADS	
JOGGLED	250" SA-455 2:1 S.E.
M.A.W.P.	125 PSIG @ 200 °F
M.D.M.T.	0 °F @ 125 PSIG
ASME SECTION VIII	DIV. 1, 2013
X-RAY: RT-4 SPOT	.205" L.S. ONLY
GALLONS:	1013 WL. 2032 LBS.
SERIAL NO.	N.B.

NOTE: 1) WELD 3/4" Ø ROUND BARS TO SHELL AFTER HEADS ARE IN PLACE.

2) HYDRO @ 163 PSIG. MIN.



FOR:	WM-185-B	REV: 7-16-14
DATE:	1-17-08	
VERT. CHILLED WATER TANK.		
SURFACE AREA = 156.2 SQ. FT.		
INSIDE: UNPAINTED		
OUTSIDE: PRIME		
BY: E.S.	SCALE: 3/4" = 12"	
<b>ROY E. HANSON JR. MFG.</b>		
1600 E. WASHINGTON BLVD.		
LOS ANGELES, CA 90021		