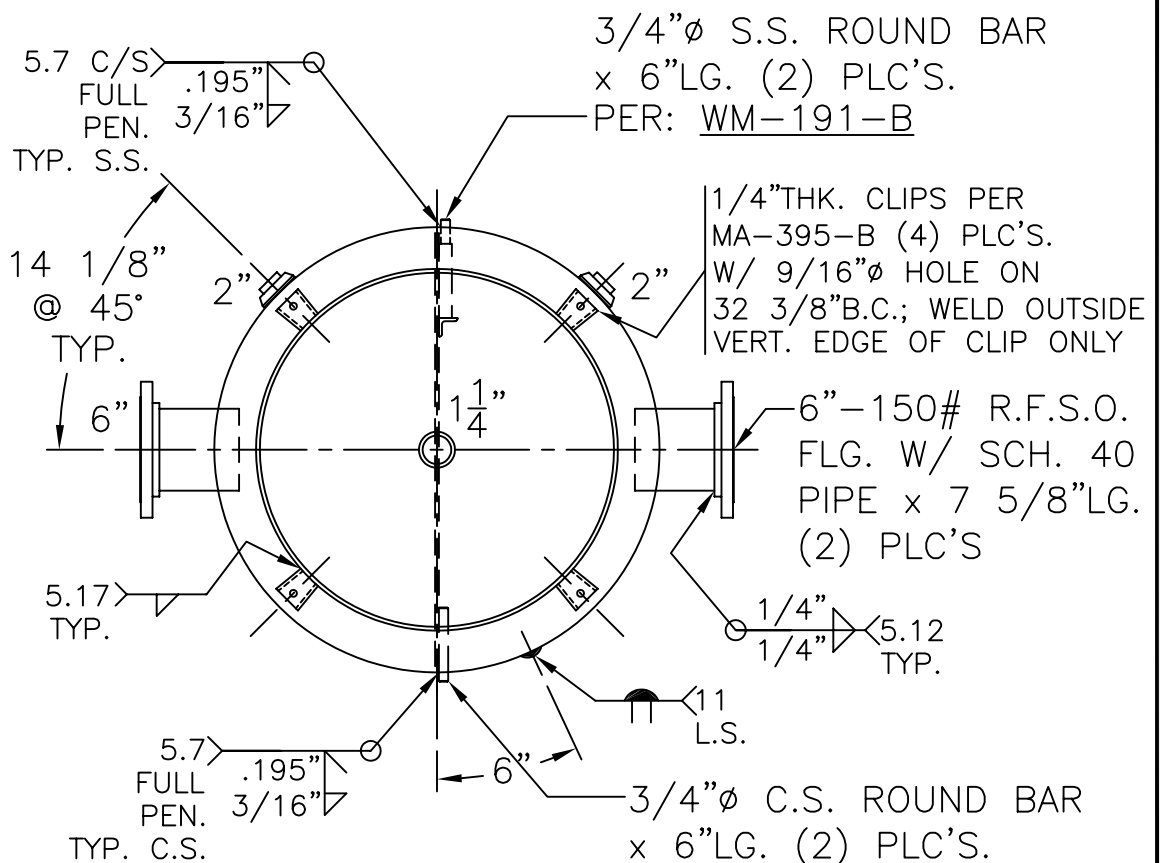


.135" - BAFFLE
PER: WL-556-B-1A



NOTE: 1) HYDRO @ 197 PSIG. MIN.
2) WELD 3/4" ROUND BARS TO SHELL AFTER HEADS ARE IN PLACE.

SHELL / HEADS		.182" SA-455 2:1 S.E.	
JOGGLE - .149 OFFSET		.195" SA-455	
M.A.W.P.	150 PSIG. @ 200 °F	FOR:	WM-272-B
M.D.M.T.	0 °F @ 150 PSIG.	VERT. CHILLED WATER TANK	REV. 4-29-08
ASME. SECTION VIII	DIV. 1, 2007 ADD. 2007	SURFACE AREA = 83.0 SQ. FT.	DATE: 4-15-08
X-RAY:	RT-NO	INSIDE: UNPAINTED	
GALLONS:	400	OUTSIDE: PRIME	
SERIAL NO.		BY: E.S. / STEVE	SCALE: 3/4"=12"
N.B.		ROY E. HANSON JR. MFG.	
		1600 E. WASHINGTON BLVD.	
		LOS ANGELES, CA 90021	