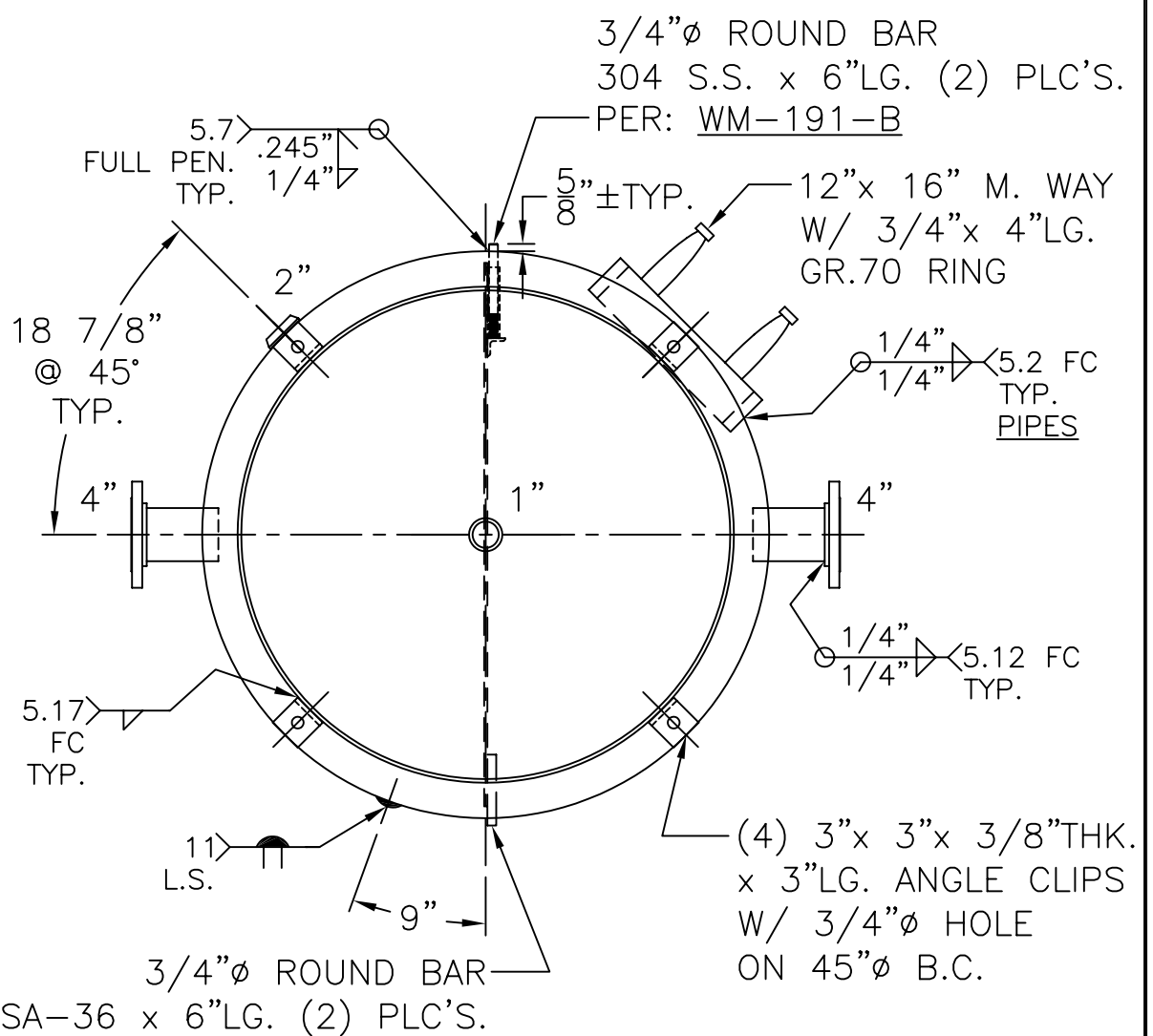
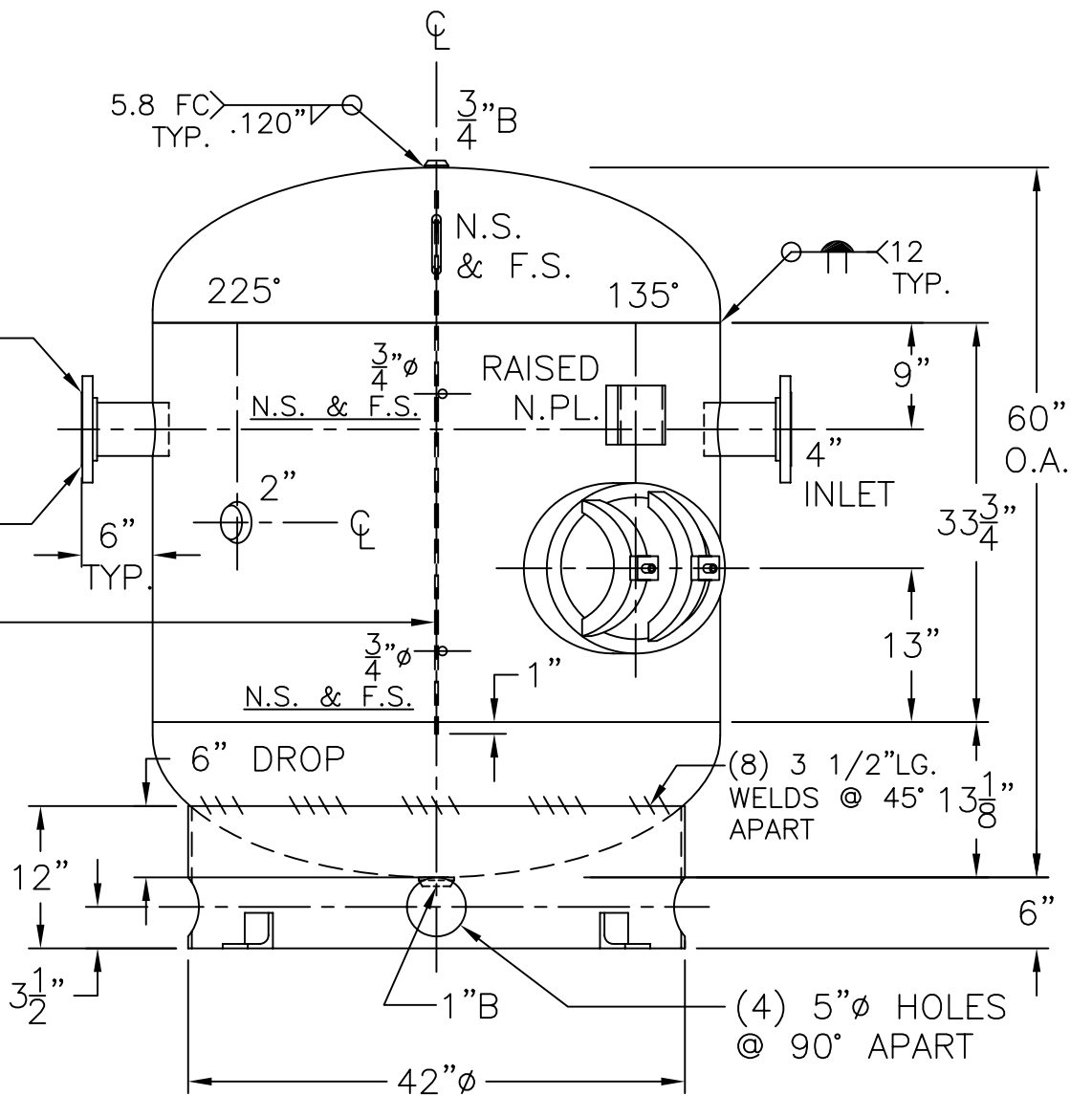


4"-150# R.F.S.O. FLG. W/ SCH. 40 SA-106-B PIPE x 7 1/16" LG. (2) PLC'S.

4" OUTLET

.135" THK. - BAFFLE PER: WM-580-B-1A



NOTE: 1) WELD 3/4" ϕ ROUND BARS TO SHELL AFTER HEADS ARE IN PLACE. 2) HYDRO @ 195 PSIG. MIN.

SHELL / HEADS		.218" SA-455 2:1 S.E.	
JOGGLED - .199" OFFSET			
M.A.W.P.	150 PSIG. @ 200 °F		
M.D.M.T.	0 °F @ 150 PSIG.		
ASME SECTION VIII	DIV. 1, 2007 ADD 2008		
X-RAY:	RT-NO		
GALLONS:	400	WT.	1107 LBS.
SERIAL NO.			
N.B.			
FOR: VERT. CHILLED WATER TANK.		WM-580-B	
SURFACE AREA = 72.7 SQ. FT.		REV. 7-20-09	
INSIDE: UNPAINTED		DATE: 1-22-09	
OUTSIDE: PRIME			
BY: E.S. / C.J.		SCALE: 3/4" = 12"	
ROY E. HANSON JR. MFG.			
1600 E. WASHINGTON BLVD.			
LOS ANGELES, CA 90021			