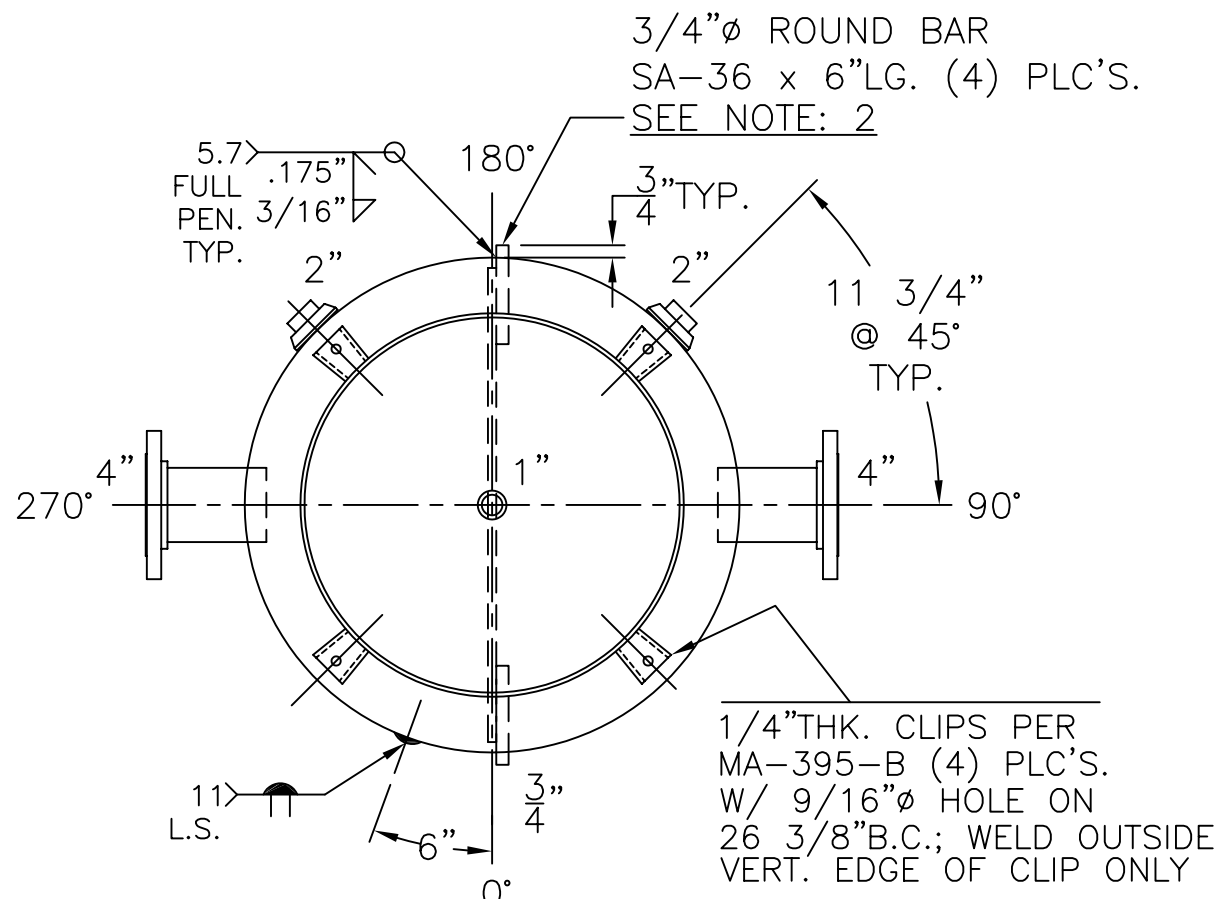


SHELL / HEADS	
JOGGLE	.166" SA-414-F 2:1 S.E.
	.175" SA-414-G
M.A.W.P.	150 PSIG. @ 200 °F
M.D.M.T.	0 °F @ 150 PSIG.
ASME. SECTION VIII	DIV. 1, 2010 ADD 2011
X-RAY:	RT-NO
GALLONS:	250 WT. 563 LBS.
SERIAL NO.	
N.B.	

NOTE: 1) 2) WELD 3/4" Ø ROUND BARS TO SHELL AFTER HEADS ARE IN PLACE.
 1) HYDRO @ 195 PSIG. MIN.



1/4" THK. CLIPS PER MA-395-B (4) PLC'S. W/ 9/16" Ø HOLE ON 26 3/8" B.C.; WELD OUTSIDE VERT. EDGE OF CLIP ONLY

WM-634-B
 FOR: -
 VERT. CHILLED WATER TANK
 SURFACE AREA = 62.0 SQ. FT.
 INSIDE: UNPAINTED
 OUTSIDE: PRIME
 BY: E.S. / STEVE SCALE: 1"=12"
ROY E. HANSON JR. MFG.
 1600 E. WASHINGTON BLVD.
 LOS ANGELES, CA 90021

REV. 3-23-12
 DATE: 3-16-09