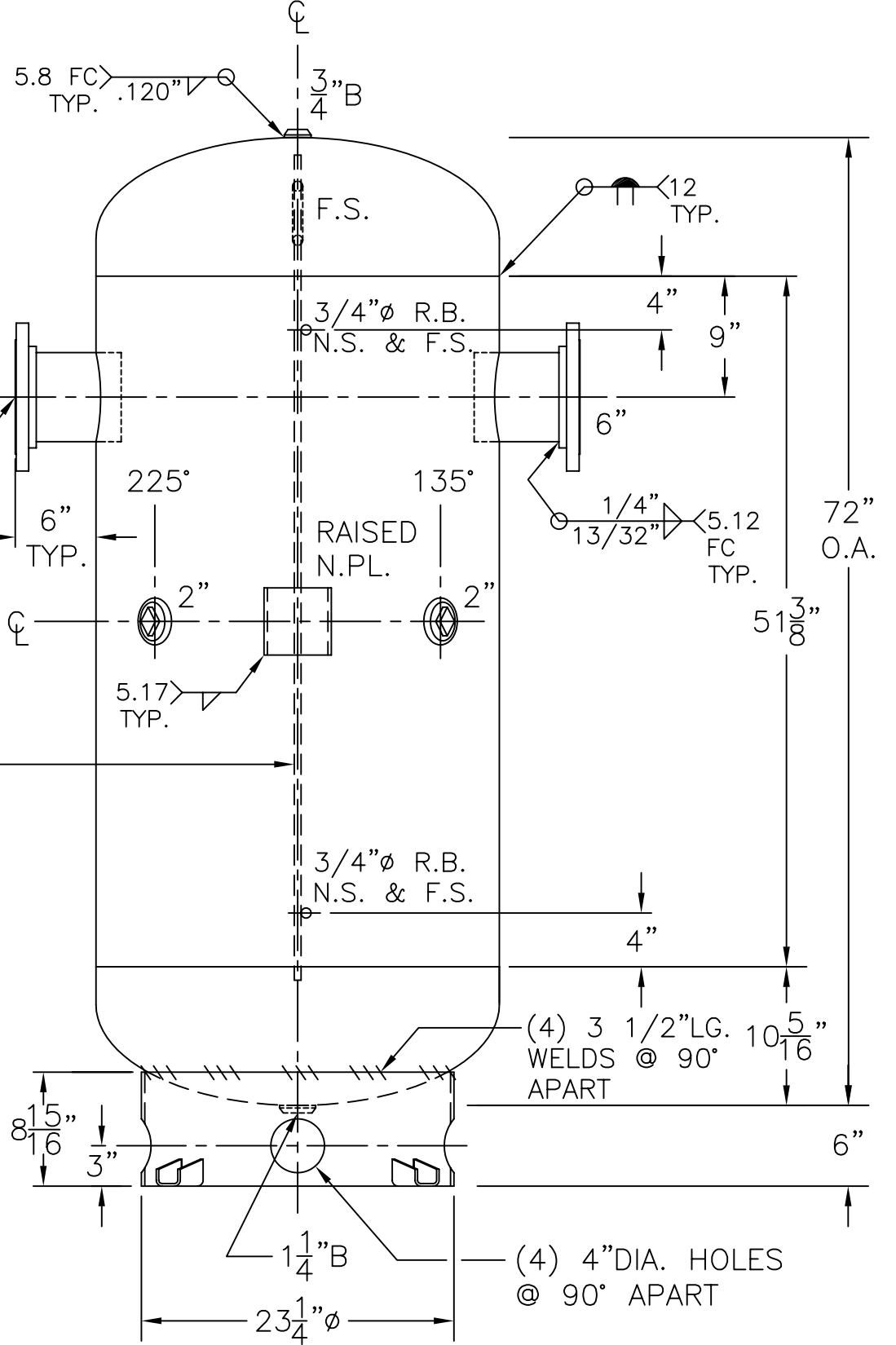
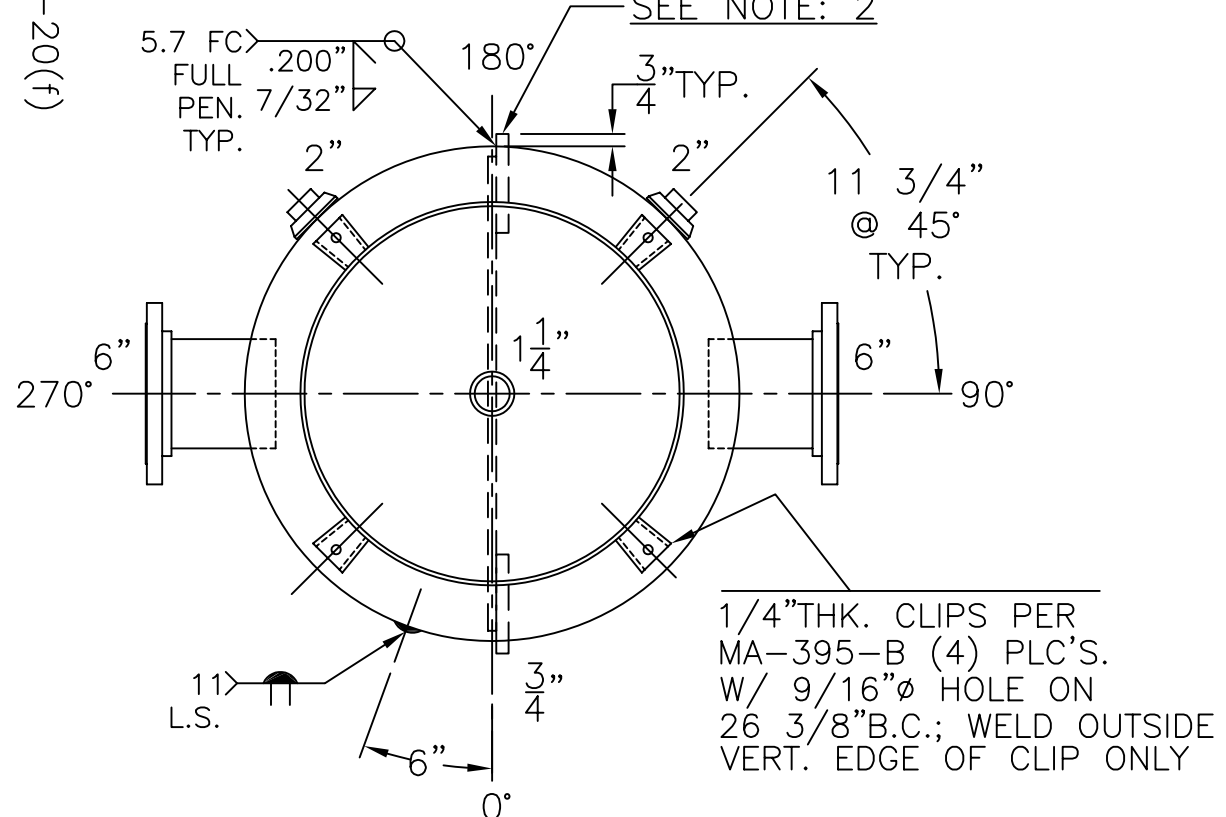


6"-150# R.F.S.O. FLG. W/ SCH. 40 SA-106-B PIPE x 7 5/8" LG. (2) PLC'S.

.136" THK. BAFFLE PER: WL-264-B-1A



3/4"Ø ROUND BAR SA-36 x 6" LG. (4) PLC'S. SEE NOTE: 2



1/4" THK. CLIPS PER MA-395-B (4) PLC'S. W/ 9/16"Ø HOLE ON 26 3/8" B.C.; WELD OUTSIDE VERT. EDGE OF CLIP ONLY

- NOTE: 1) 2) 3) 4) IMPACT TESTED? NO UG-20(f)
 CRN B.C.: K8476.1
 WELD 3/4"Ø ROUND BARS TO SHELL AFTER HEADS ARE IN PLACE.
 HYDRO @ 163 PSIG. MIN.

SHELL / HEADS		.200" SA-455 2:1 S.E.	
JOGGLE - .218" OFFSET			
.200" SA-455			
.0625" C.A. ON INTERNALS			
M.A.W.P.	125 PSIG. @ 200 °F		
M.D.M.T.	0 °F @ 125 PSIG.		
ASME SECTION VIII	DIV. 1, 2010 ADD 2010		
X-RAY:	RT-NO		
GALLONS:	200	WT.	613 LBS.
SERIAL NO.			
N.B.			
FOR: -		WN-299-B	
VERT. CHILLED WATER TANK		REV. 9-27-11	
SURFACE AREA = 50.9 SQ. FT.		DATE: 7-20-11	
UW-21(b)			
INSIDE: UNPAINTED			
OUTSIDE: PRIME			
BY: E.S. / C.J.		SCALE: 1"=12"	
ROY E. HANSON JR. MFG.			
1600 E. WASHINGTON BLVD.			
LOS ANGELES, CA 90021			