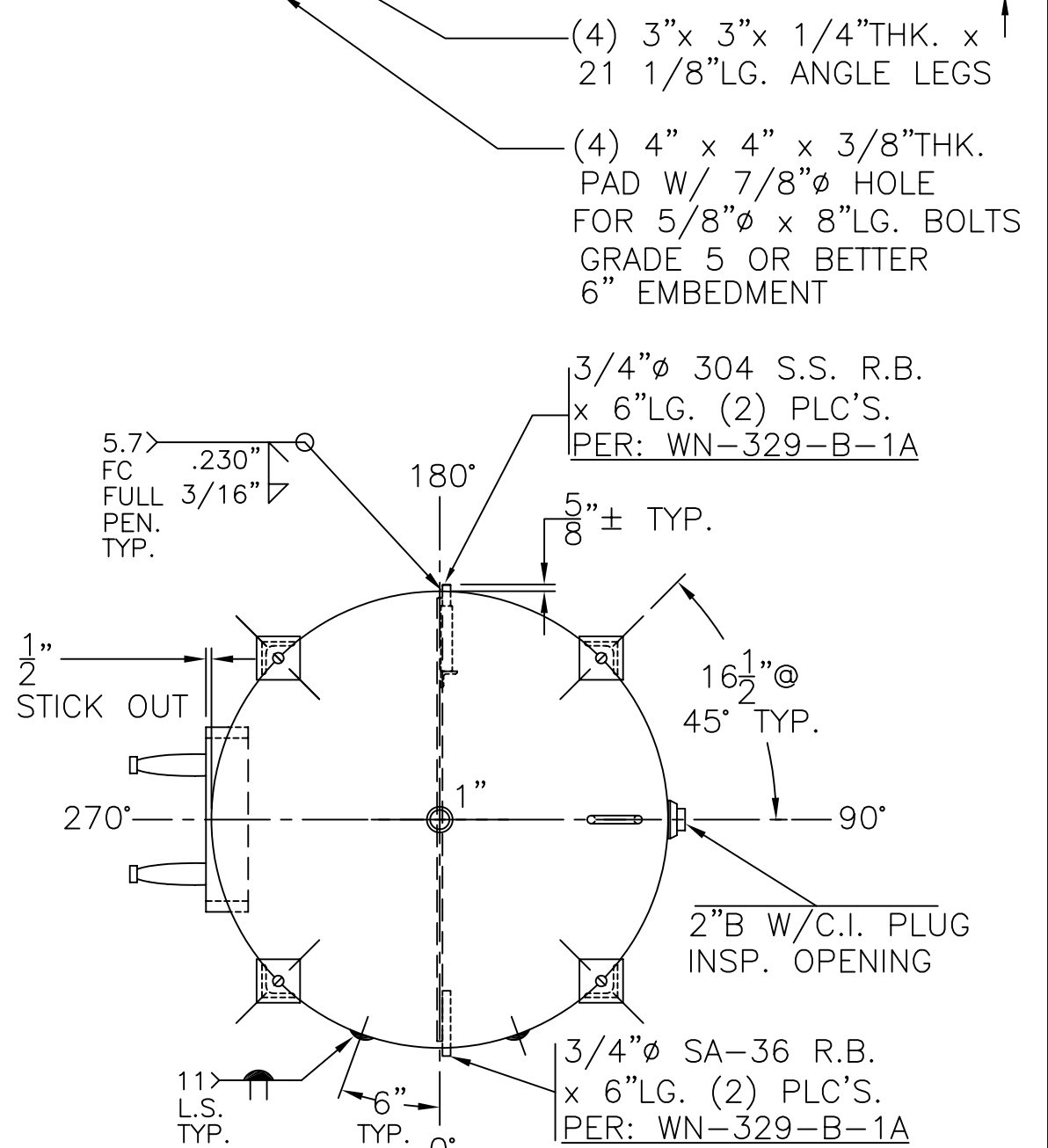


SHELL / HEADS	
JOGGLED	.205" SA-414-G 2:1 S.E.
	.230" SA-455
M.A.W.P.	150 PSIG. @ 200 °F
M.D.M.T.	-20 °F @ 150 PSIG.
ASME SECTION	VIII DIV. 1, 2010 ADD 2010
X-RAY:	RT-NO
GALLONS:	528 WT. 1272 LBS.
SERIAL NO.	
N.B.	
<b>WN-329-B</b>	
FOR:	VERT. CHILLED WATER TANK.
	SURFACE AREA = 96.2 SQ. FT.
	INSIDE: UNPAINTED
	OUTSIDE: PRIME
LEG ZONE:	2B-15 KM.
BY: J.G./C.J.	SCALE: 3/4"=12"
<b>ROY E. HANSON JR. MFG.</b>	
1600 E. WASHINGTON BLVD.	
LOS ANGELES, CA 90021	
REV.	DATE: 9-8-11

NOTE: 1) 2) WELD 3/4" Ø ROUND BARS TO SHELL AFTER HEADS ARE IN PLACE.  
HYDRO @ 195 PSIG.



(4) 3" x 3" x 1/4" THK. x 21 1/8" LG. ANGLE LEGS  
 (4) 4" x 4" x 3/8" THK. PAD W/ 7/8" Ø HOLE FOR 5/8" Ø x 8" LG. BOLTS GRADE 5 OR BETTER 6" EMBEDMENT  
 3/4" Ø 304 S.S. R.B. x 6" LG. (2) PLC'S. PER: WN-329-B-1A  
 5.7 FC FULL PEN. TYP.  
 .230" 3/16"  
 180°  
 5/8" ± TYP.  
 16 1/2" @ 45° TYP.  
 90°  
 2" B W/C.I. PLUG INSP. OPENING  
 3/4" Ø SA-36 R.B. x 6" LG. (2) PLC'S. PER: WN-329-B-1A  
 11" L.S. TYP.  
 6" TYP.  
 0°